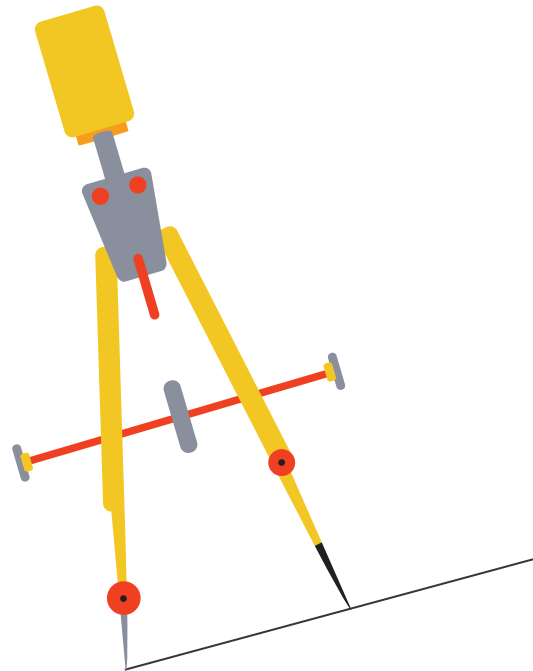


HOW TO FIND THE CENTER OF A LINE

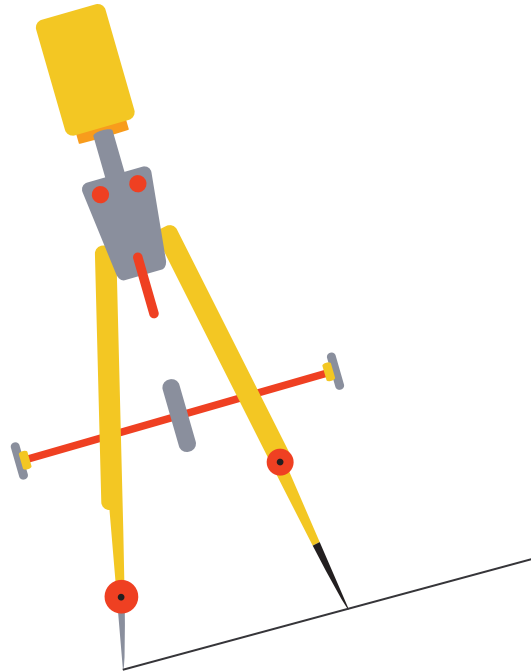
Rebecca B. Bennett



step 1
Draw the line. Place the compass point at the end of the line.

HOW TO FIND THE CENTER OF A LINE

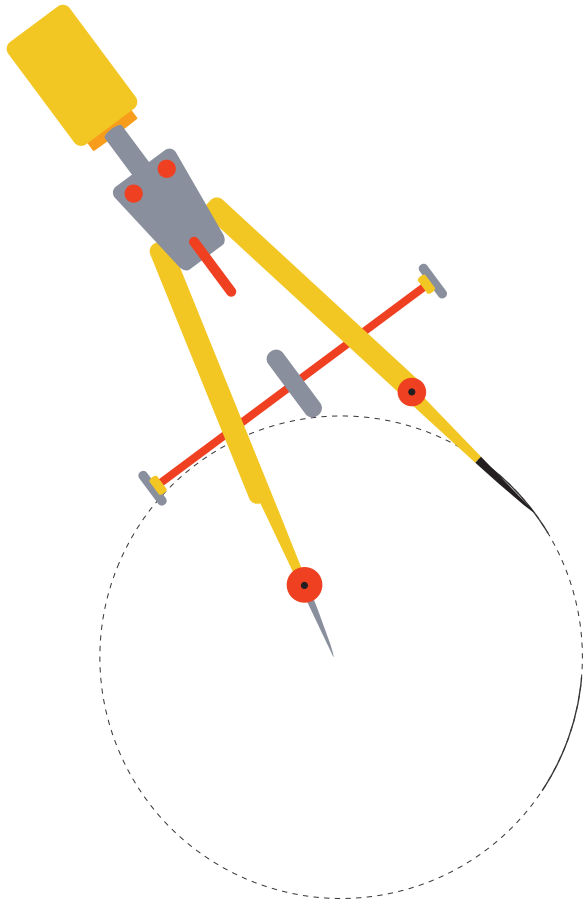
Rebecca B. Bennett



step 2
Adjust the compass so that it is clearly at least longer than one half the line.

HOW TO FIND THE CENTER OF A LINE

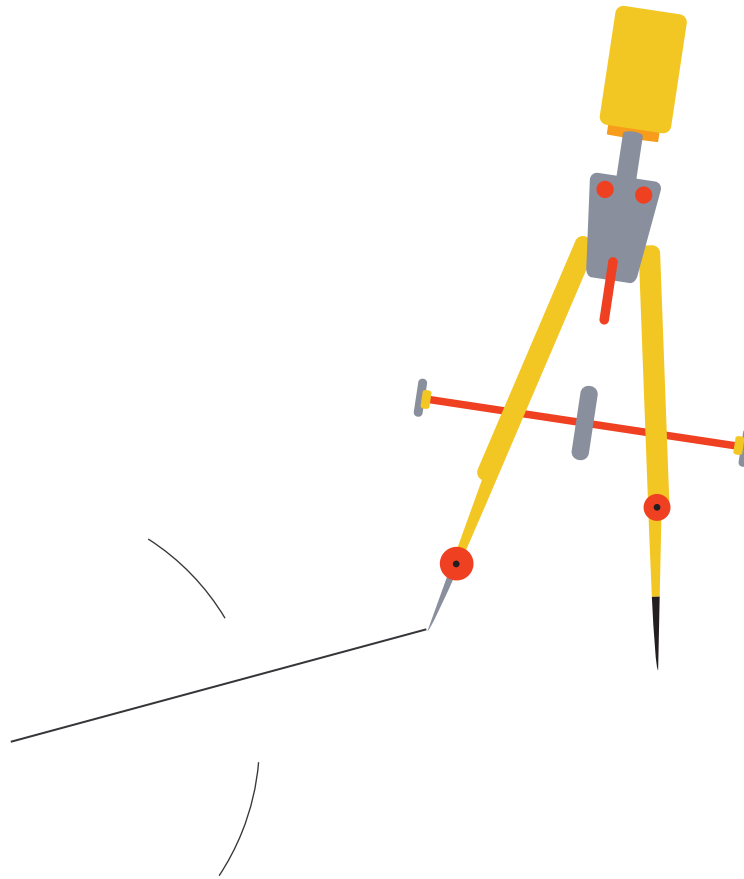
Rebecca B. Bennett



step 3
Mark twice on either side of the line.

HOW TO FIND THE CENTER OF A LINE

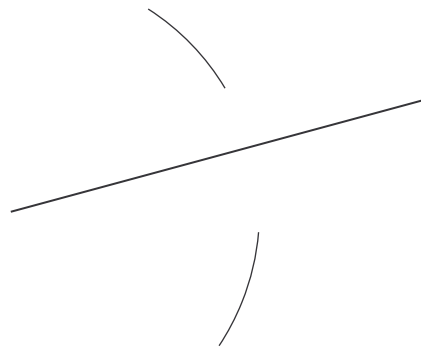
Rebecca B. Bennett



step 4
Move the compass to the other end of the line.

HOW TO FIND THE CENTER OF A LINE

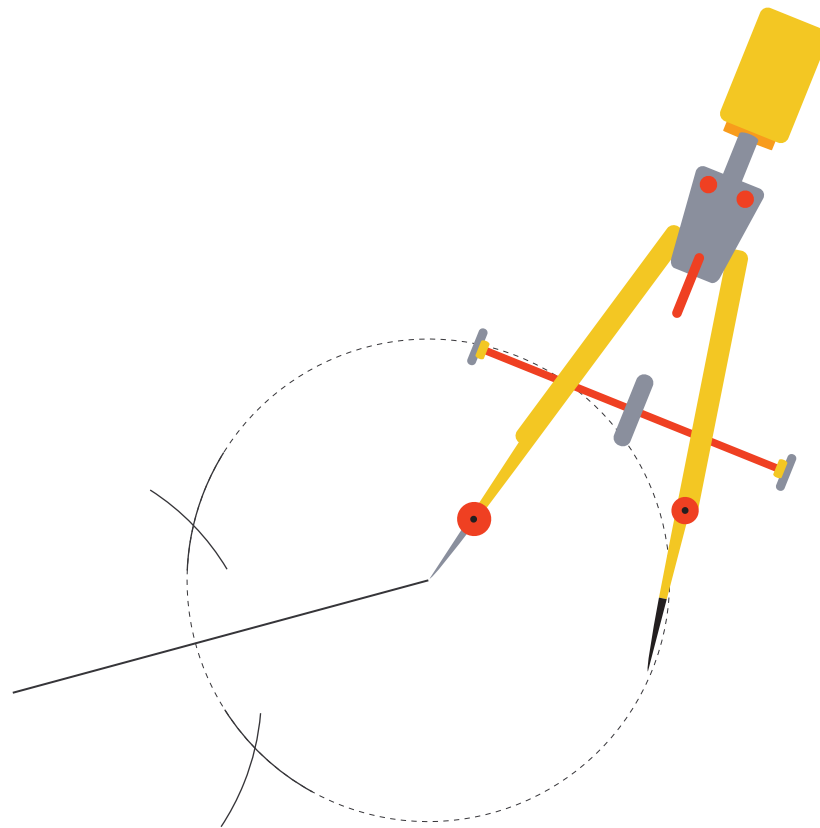
Rebecca B. Bennett



step 5
Do not adjust the compass.

HOW TO FIND THE CENTER OF A LINE

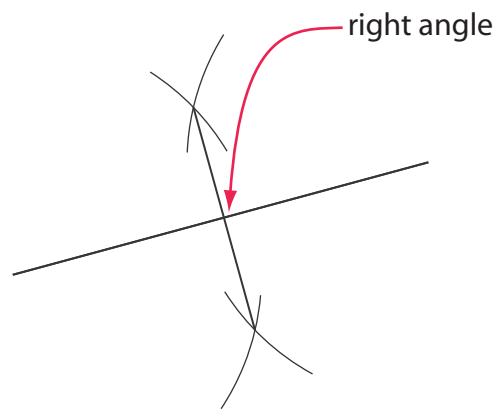
Rebecca B. Bennett



step 6
Mark twice on either side of the line.

HOW TO FIND THE CENTER OF A LINE

Rebecca B. Bennett



step 7
Connect the intersections.