

THE PARTITIONING OF DEPTH

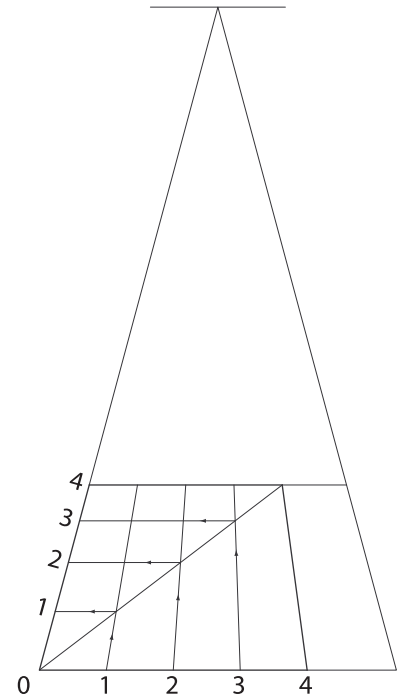
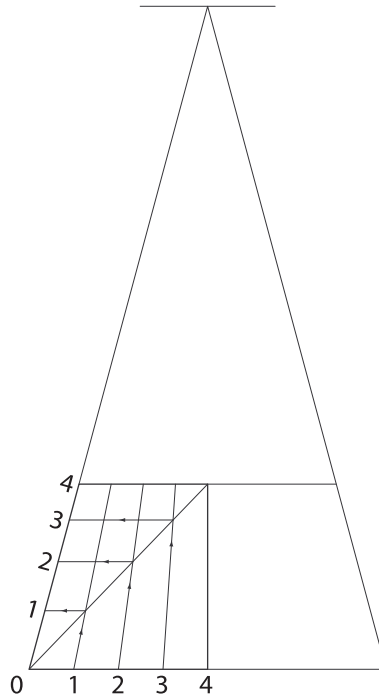
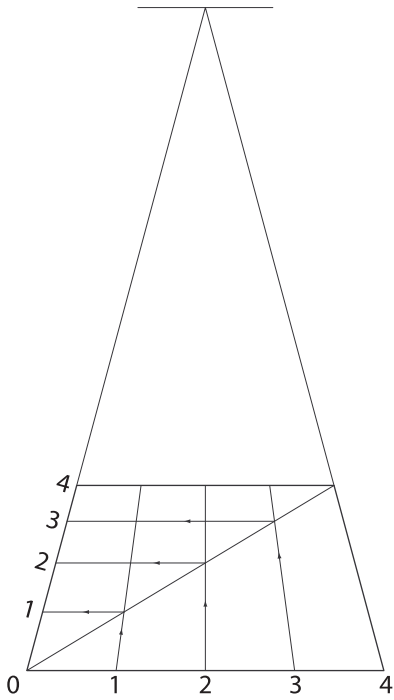
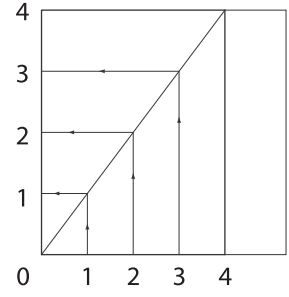
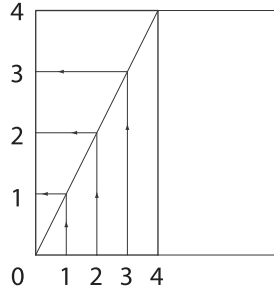
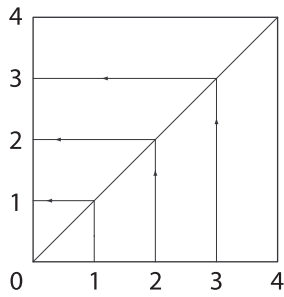
DIRECT TRANSFER OF SCALE

PROPORTIONAL TRANSFER OF DEPTH

SCALE: 1:1

SCALE: 1:2

SCALE: 3:4



Note: When a proportioned scale is used, the ratio of reduction, e.g., 1:2 is the original scale in use for the drawing at the measuring line. For example, if the original scale were 1" = 1' then the height and widths would be measured in the scale of 1" = 1'.