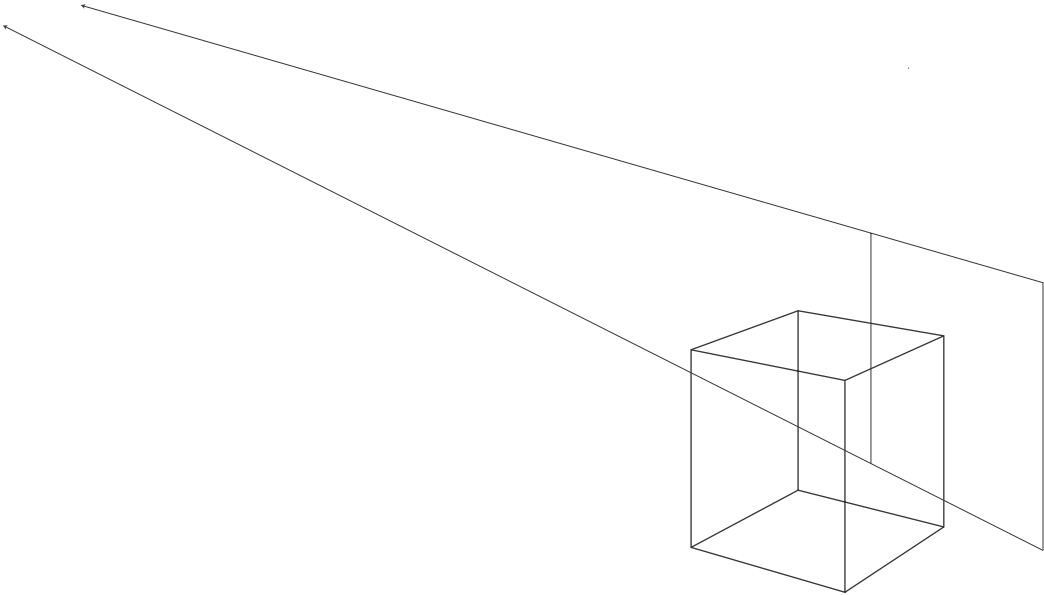


HOW TO DRAFT A SHADOW ON A WALL

Rebecca B. Bennett

HL/EL

these go back to the HL



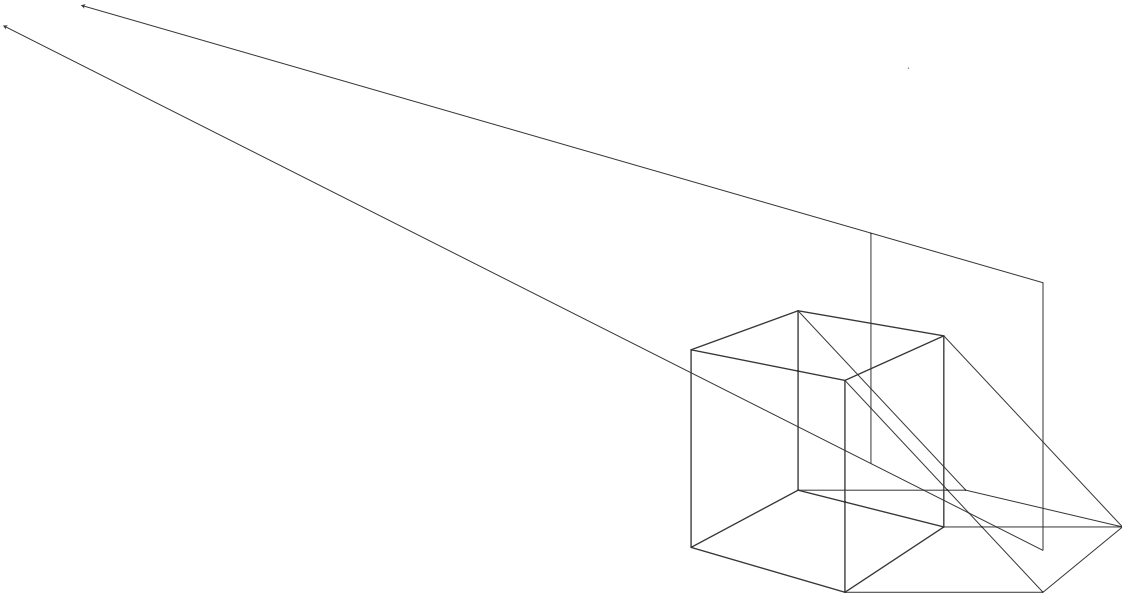
NOTES:

step 1
Draft a cube in
two-point
perspective and
a wall

HOW TO DRAFT A SHADOW ON A WALL

Rebecca B. Bennett

HL/EL



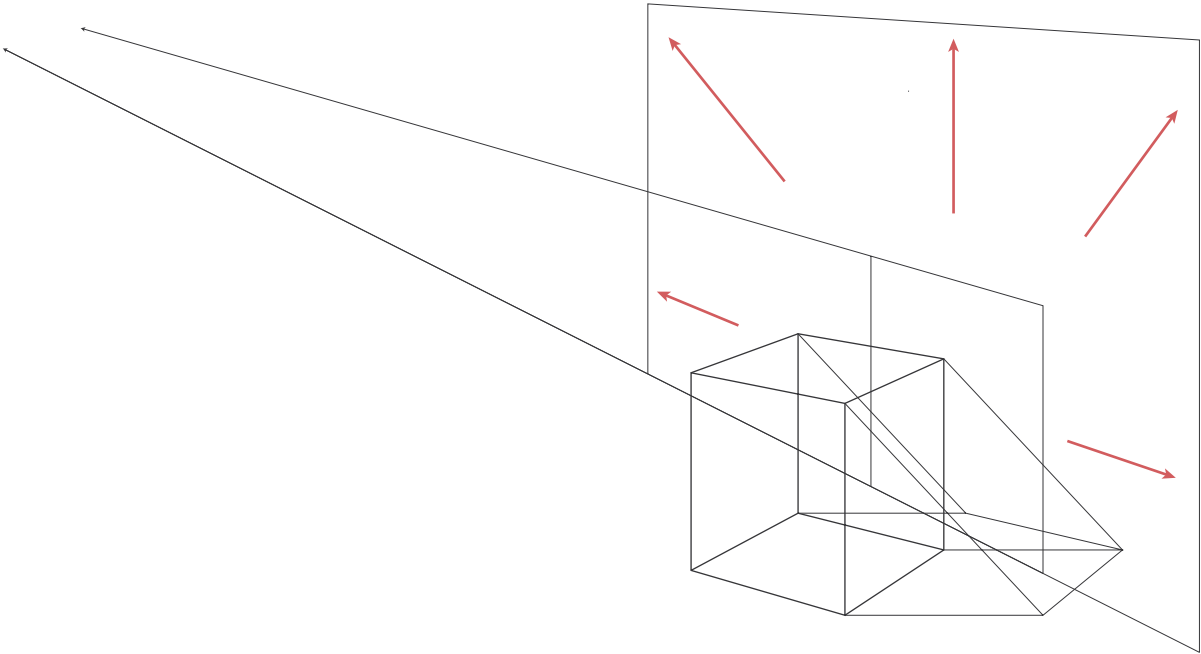
NOTES:

step 2
Draft the shadow of the cube as it would appear without the wall

HOW TO DRAFT A SHADOW ON A WALL

Rebecca B. Bennett

HL/EL



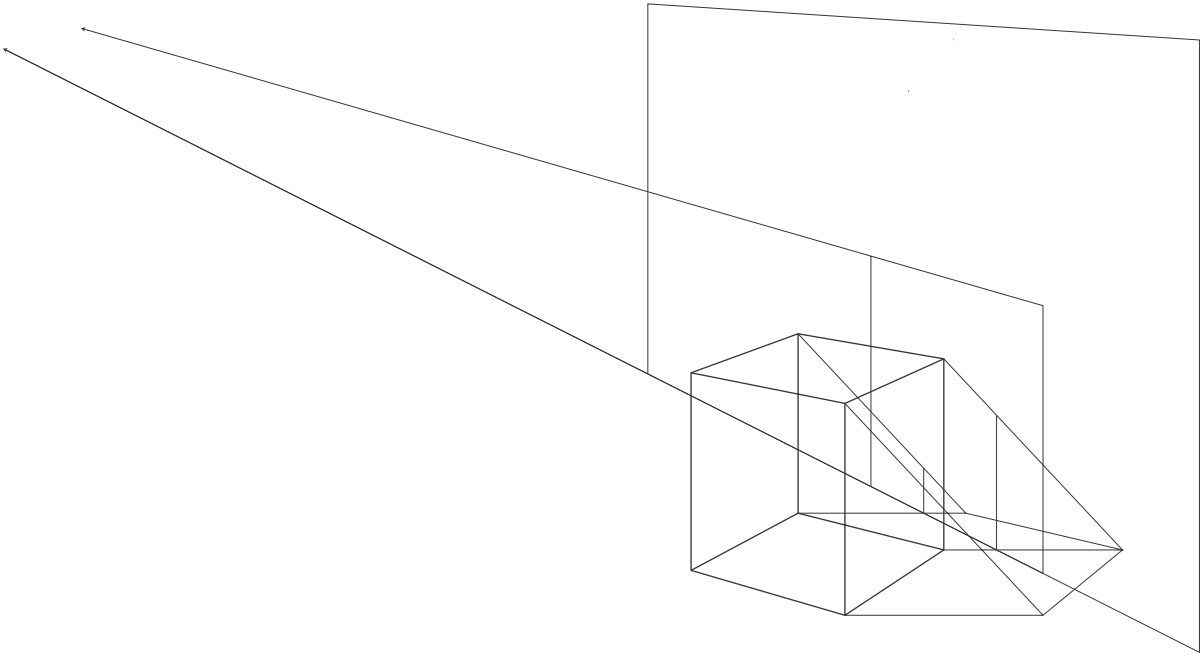
NOTES:

step 3
Extend the wall
in three direc-
tions: up, left
and right

HOW TO DRAFT A SHADOW ON A WALL

Rebecca B. Bennett

HL/EL



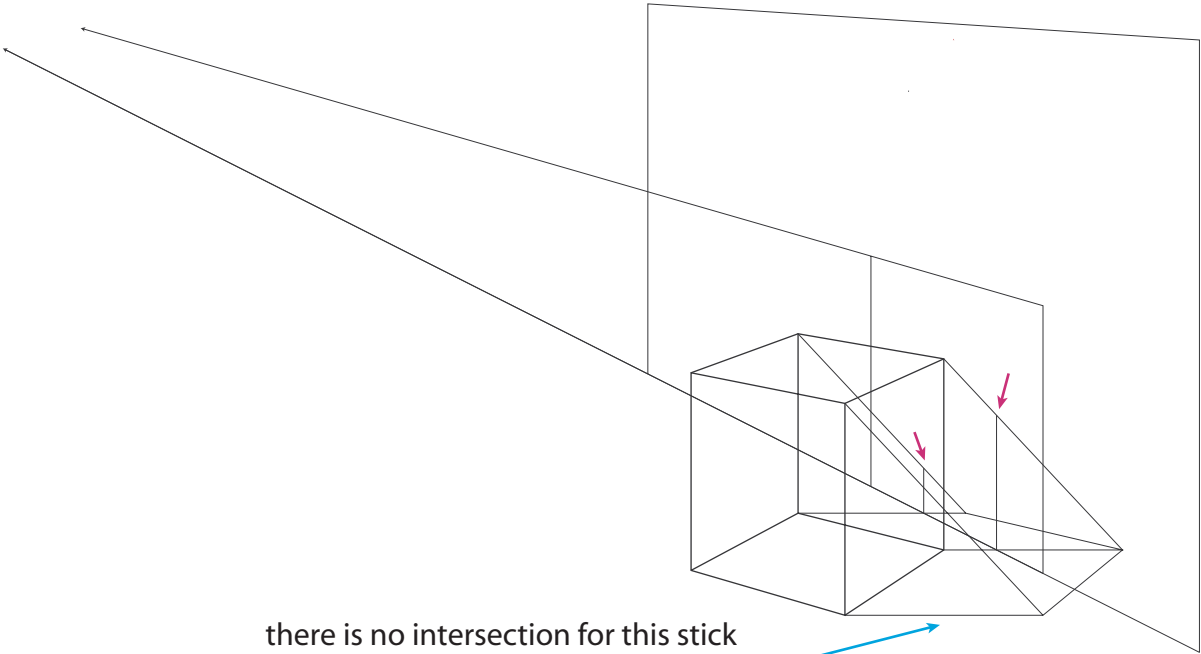
NOTES:

step 4
Draft a line that extends “up the wall” or at the same angle as the wall.

HOW TO DRAFT A SHADOW ON A WALL

Rebecca B. Bennett

HL/EL



there is no intersection for this stick
because its shadow doesn't hit the wall

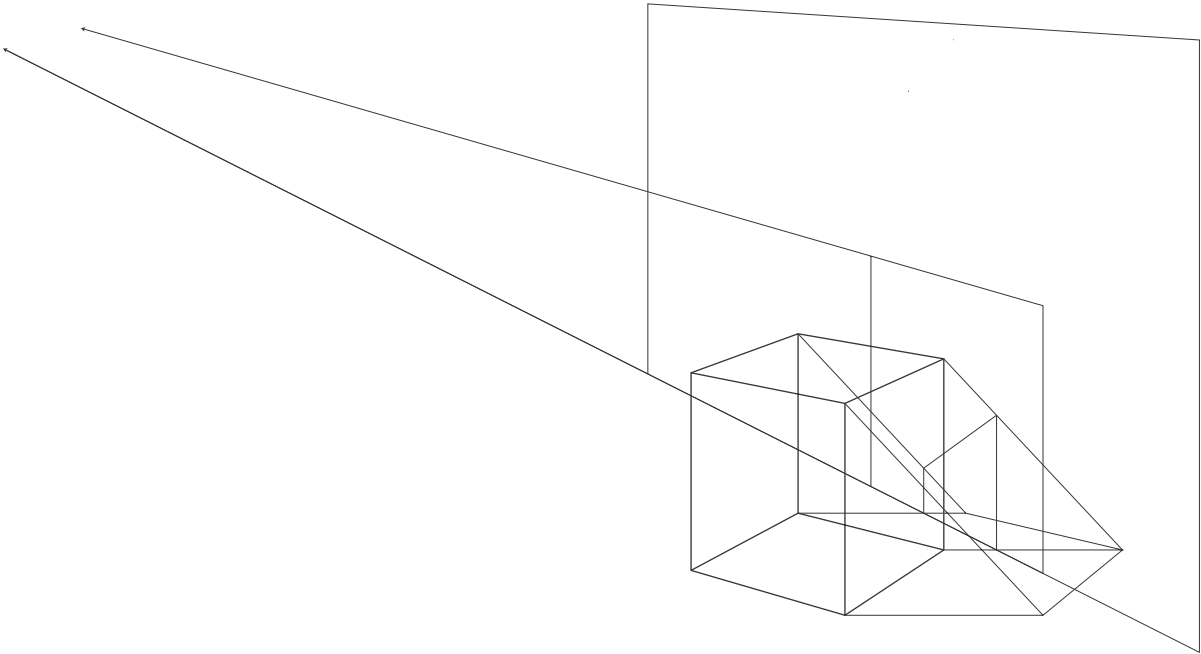
NOTES:

step 5
Note where this
line intersects
its altitude.

HOW TO DRAFT A SHADOW ON A WALL

Rebecca B. Bennett

HL/EL



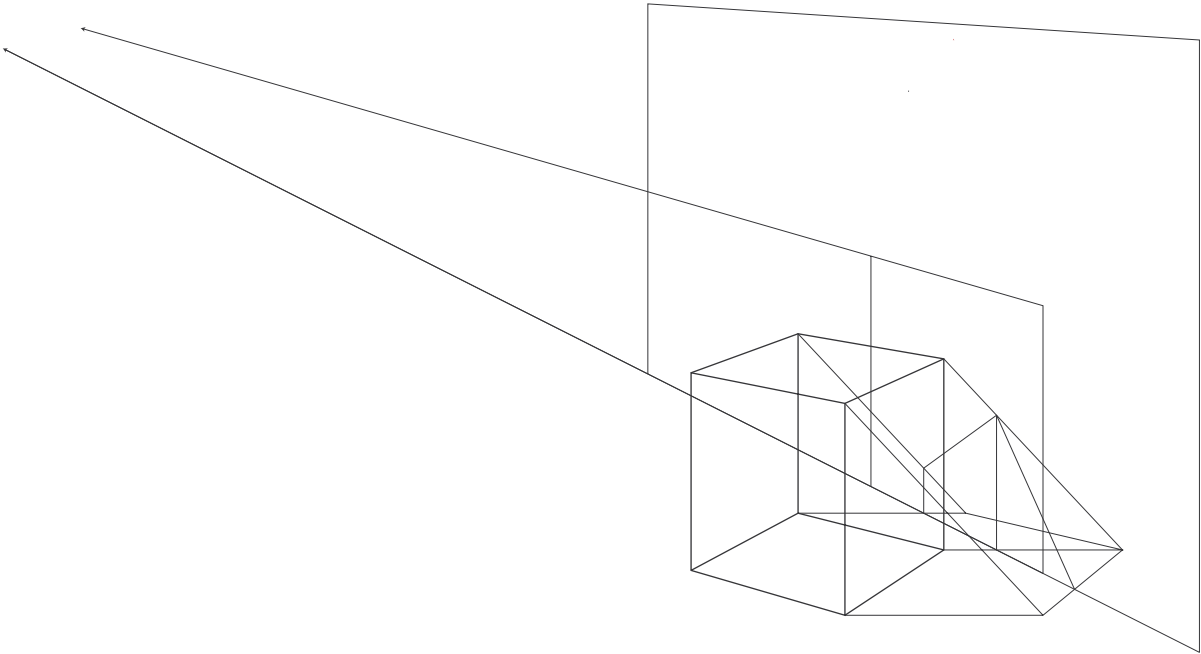
NOTES:

step 6
Connect the
new intersec-
tions together

HOW TO DRAFT A SHADOW ON A WALL

Rebecca B. Bennett

HL/EL



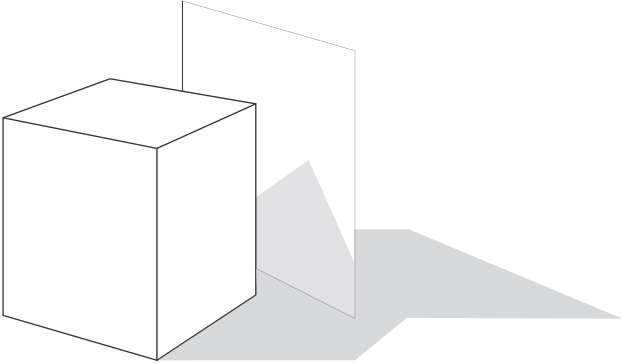
NOTES:

step 7
Connect back
the original
shadow on the
ground

HOW TO DRAFT A SHADOW ON A WALL

Rebecca B. Bennett

HL/EL



NOTES:

step 8
Clarify with line weight. (Do not shade your drafting homework!)