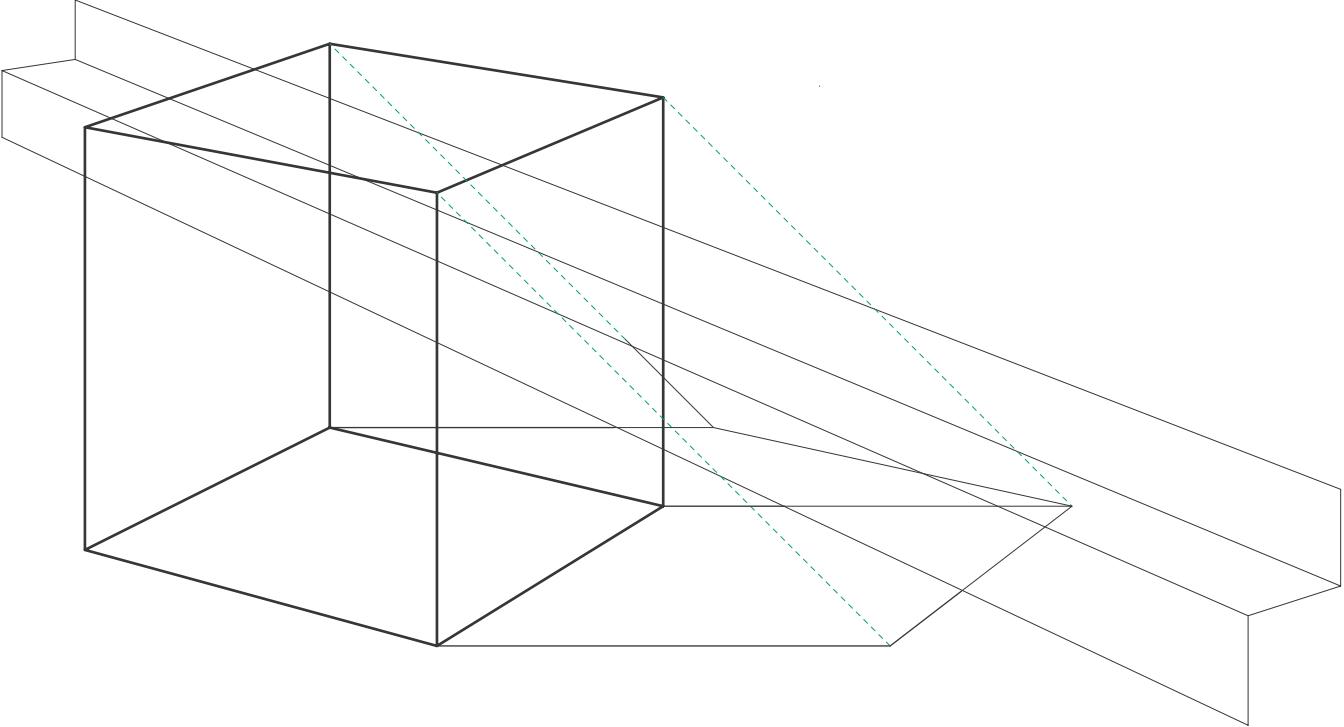


**HOW TO DRAFT A SHADOW ON STAIRS**

Rebecca B. Bennett

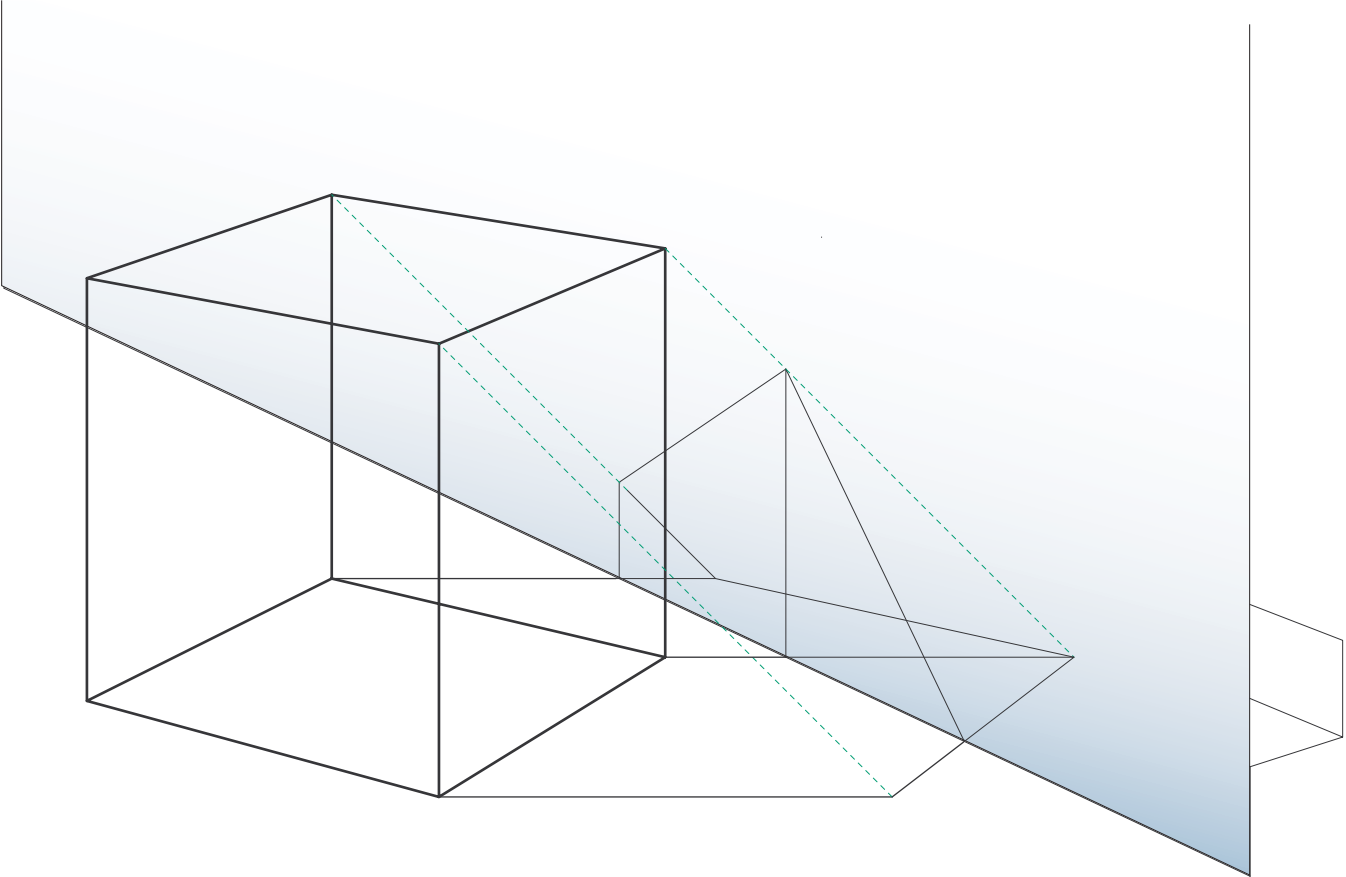


NOTES:

**step 1**  
draft a cube in  
two-point  
perspective,  
stairs and the  
original shadow

**HOW TO DRAFT A SHADOW ON STAIRS**

Rebecca B. Bennett

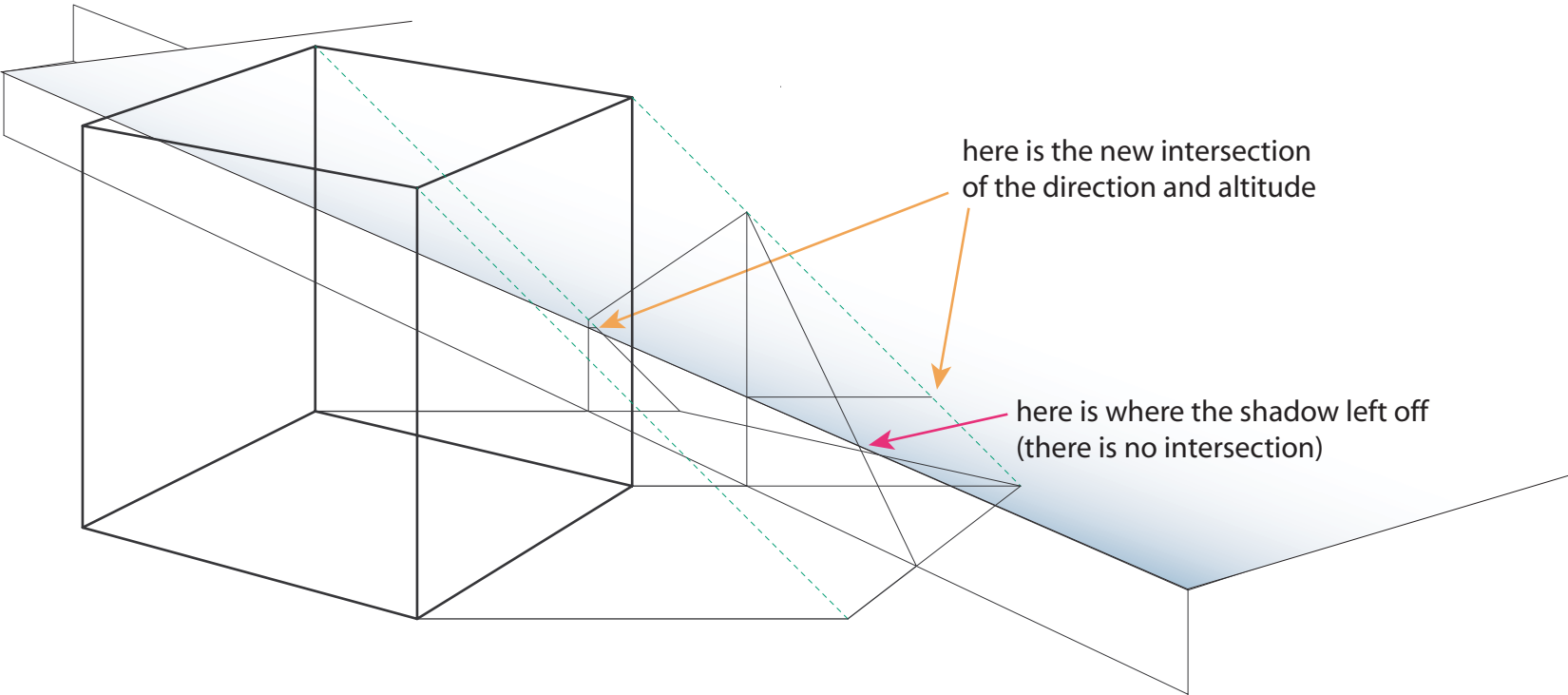


NOTES:

**step 2**  
draft the shadow going up the wall as if the first stair were a complete wall

**HOW TO DRAFT A SHADOW ON STAIRS**

Rebecca B. Bennett

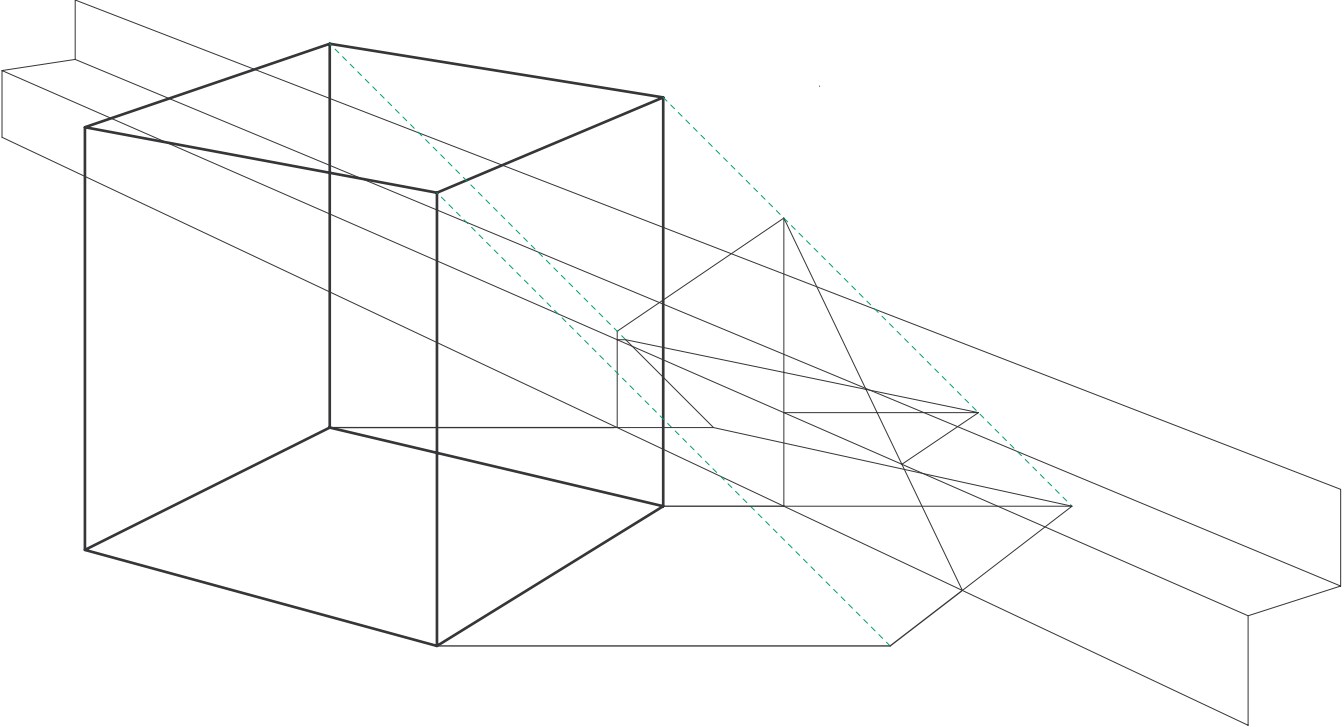


NOTES:

**step 3**  
extend the  
direction to the  
altitude from  
the edge of the  
first stair.

**HOW TO DRAFT A SHADOW ON STAIRS**

Rebecca B. Bennett

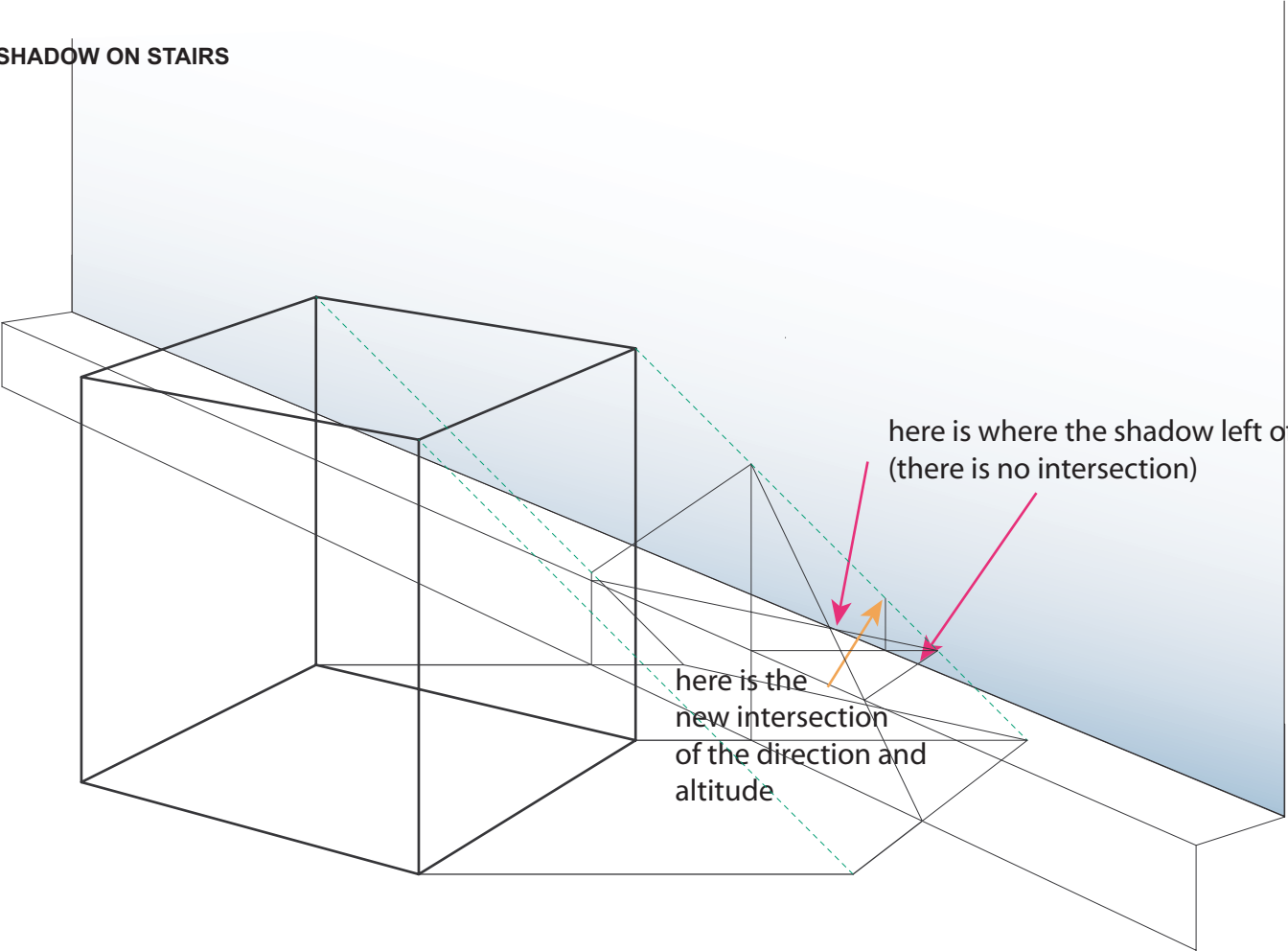


NOTES:

**step 4**  
connect the  
intersections  
and where the  
shadow left off

**HOW TO DRAFT A SHADOW ON STAIRS**

Rebecca B. Bennett



here is where the shadow left off  
(there is no intersection)

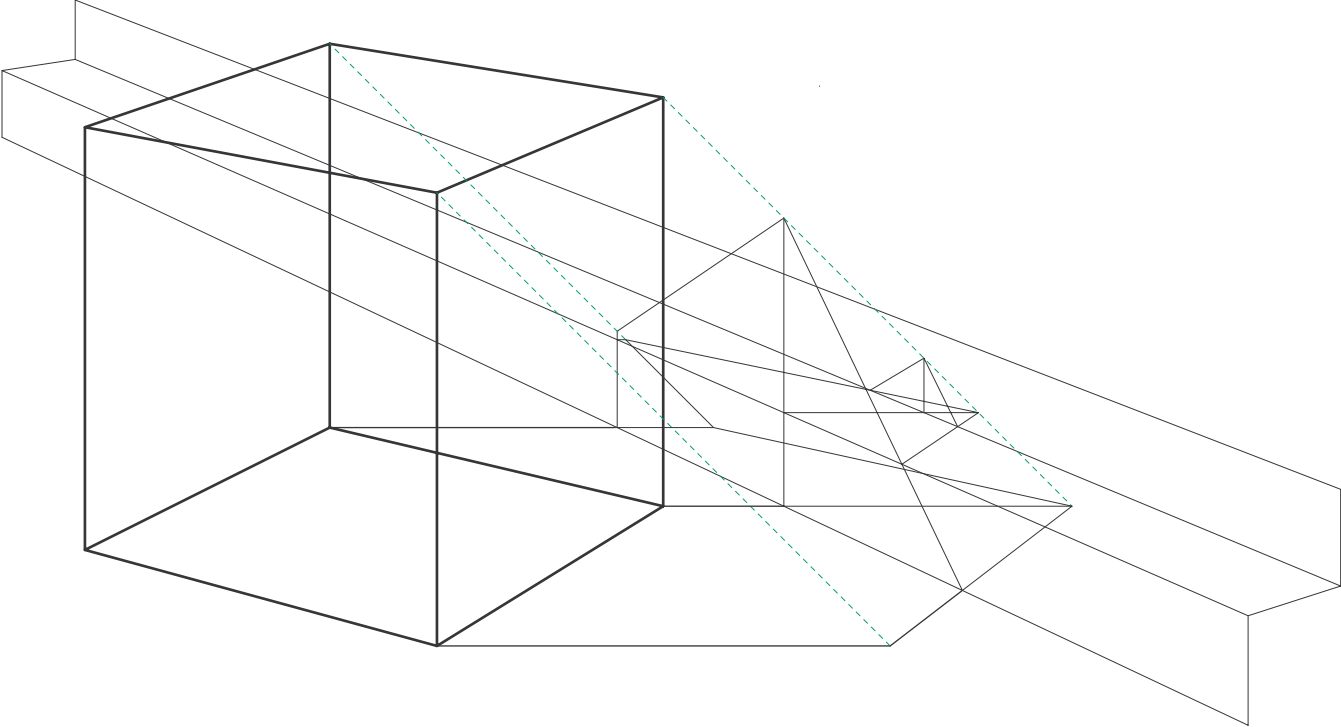
here is the  
new intersection  
of the direction and  
altitude

NOTES:

**step 5**  
extend the  
remaining stick  
shadow up the  
wall

**HOW TO DRAFT A SHADOW ON STAIRS**

Rebecca B. Bennett

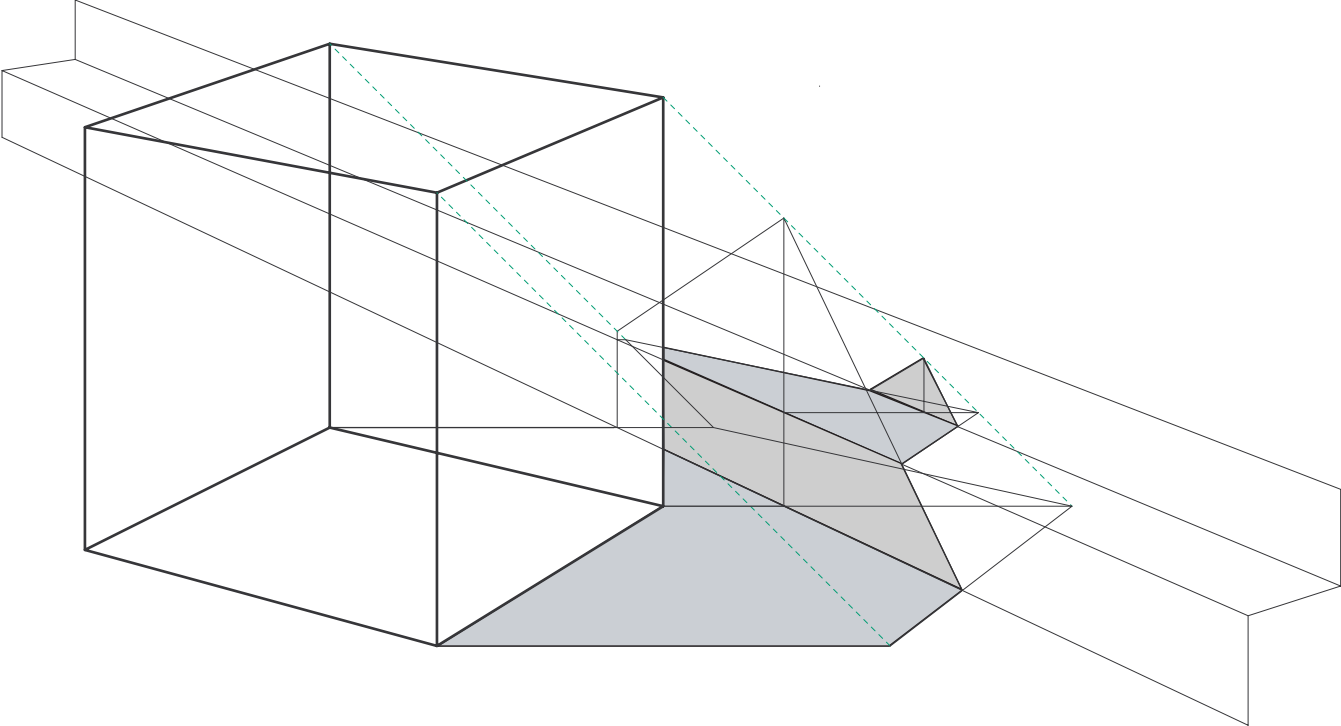


NOTES:

**step 6**  
connect the  
intersections  
with where the  
shadow left off

**HOW TO DRAFT A SHADOW ON STAIRS**

Rebecca B. Bennett



NOTES:

**step 7**  
here is the  
shadow