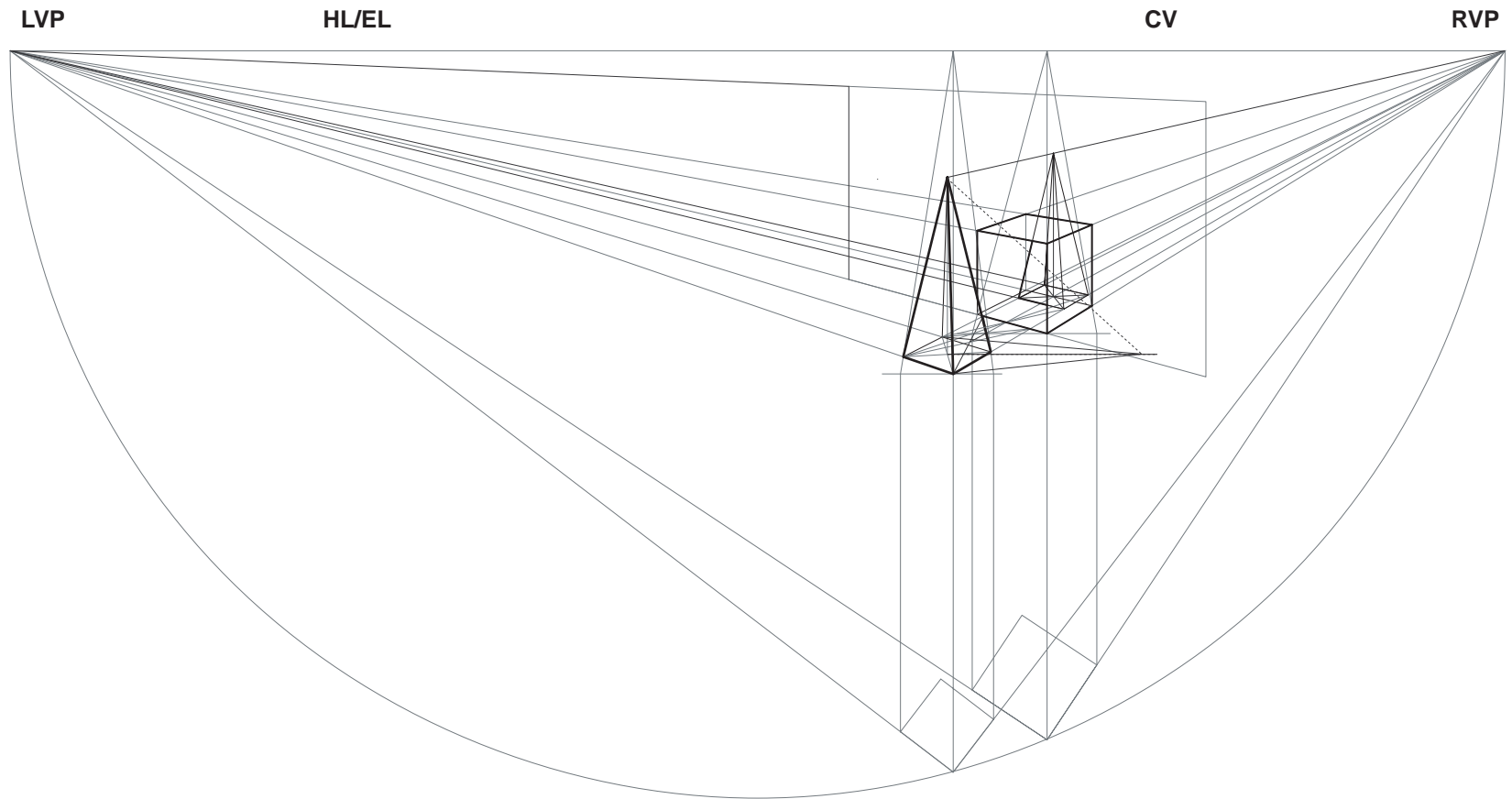


HOW TO DRAFT THE REFLECTION OF THE PYRAMID SHADOW (VARIATION)

Rebecca B. Bennett



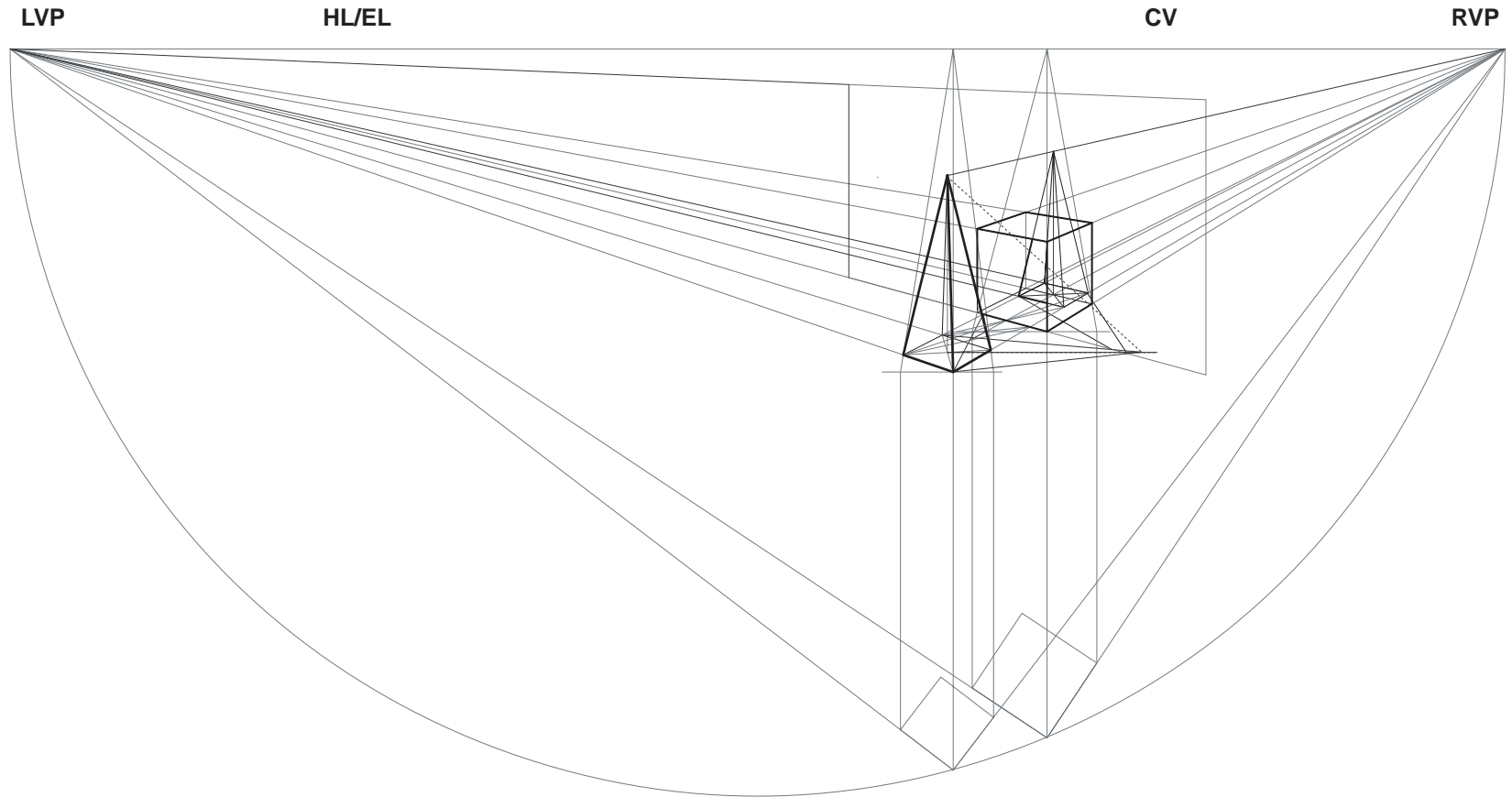
NOTES:

step 1

If you decide to make the shadow cross the reflective surface, your job may be a bit easier...

HOW TO DRAFT THE REFLECTION OF THE PYRAMID SHADOW (VARIATION)

Rebecca B. Bennett



NOTES:

step 3
Connect the shadow back to the reflection