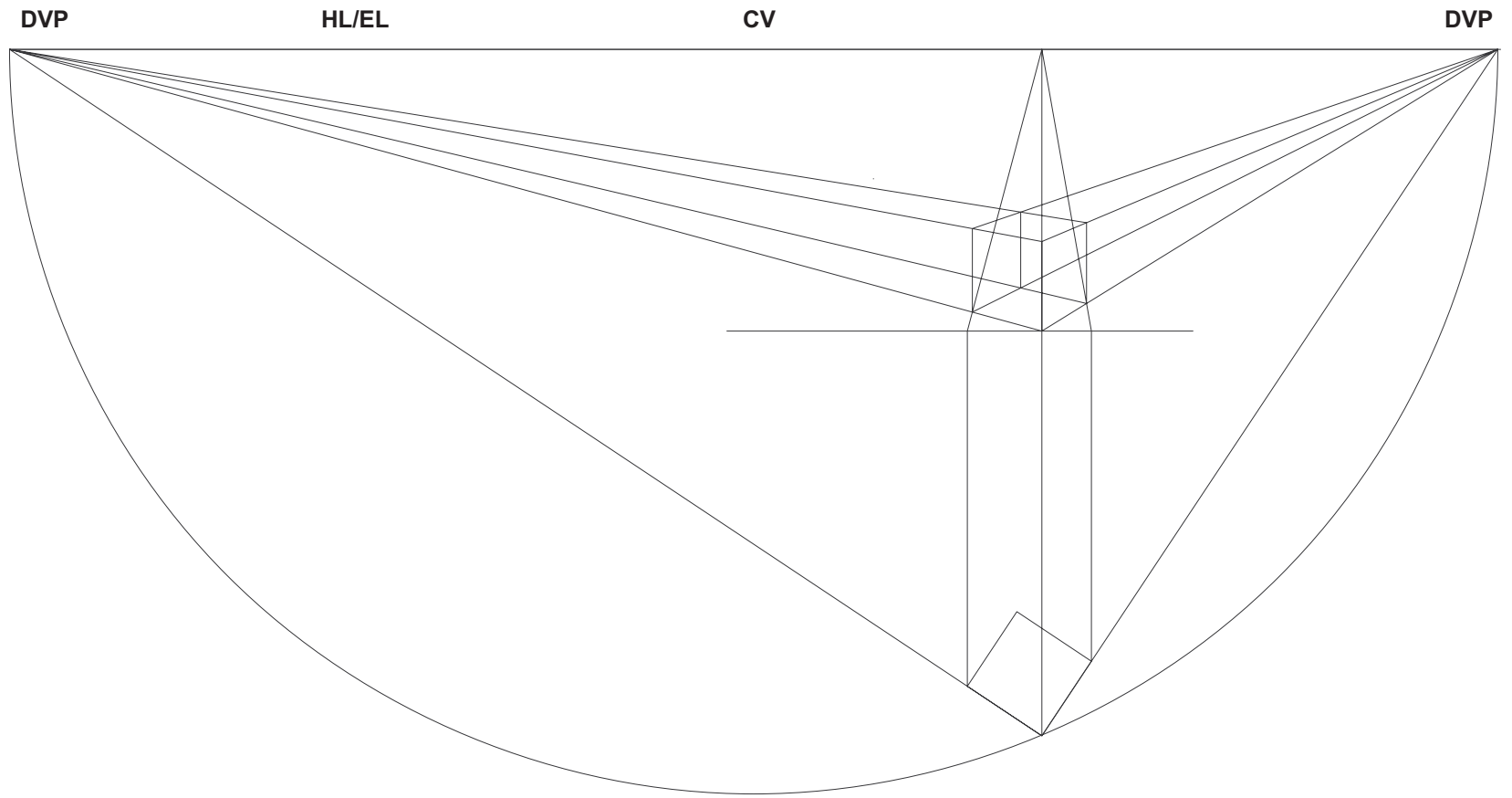


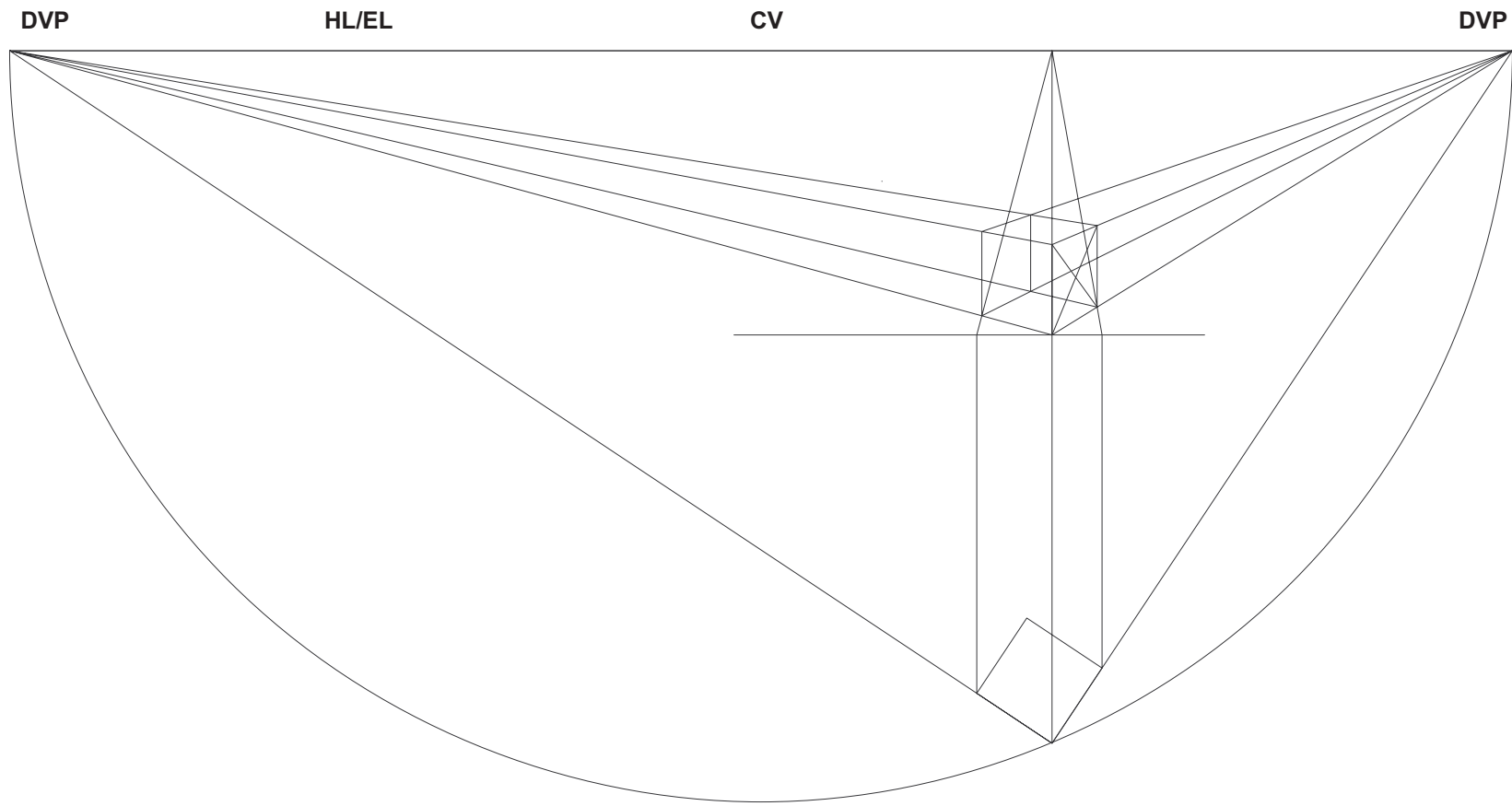
HOW TO PROPORTION
Rebecca B. Bennett



NOTES:

step 1
draft a cube

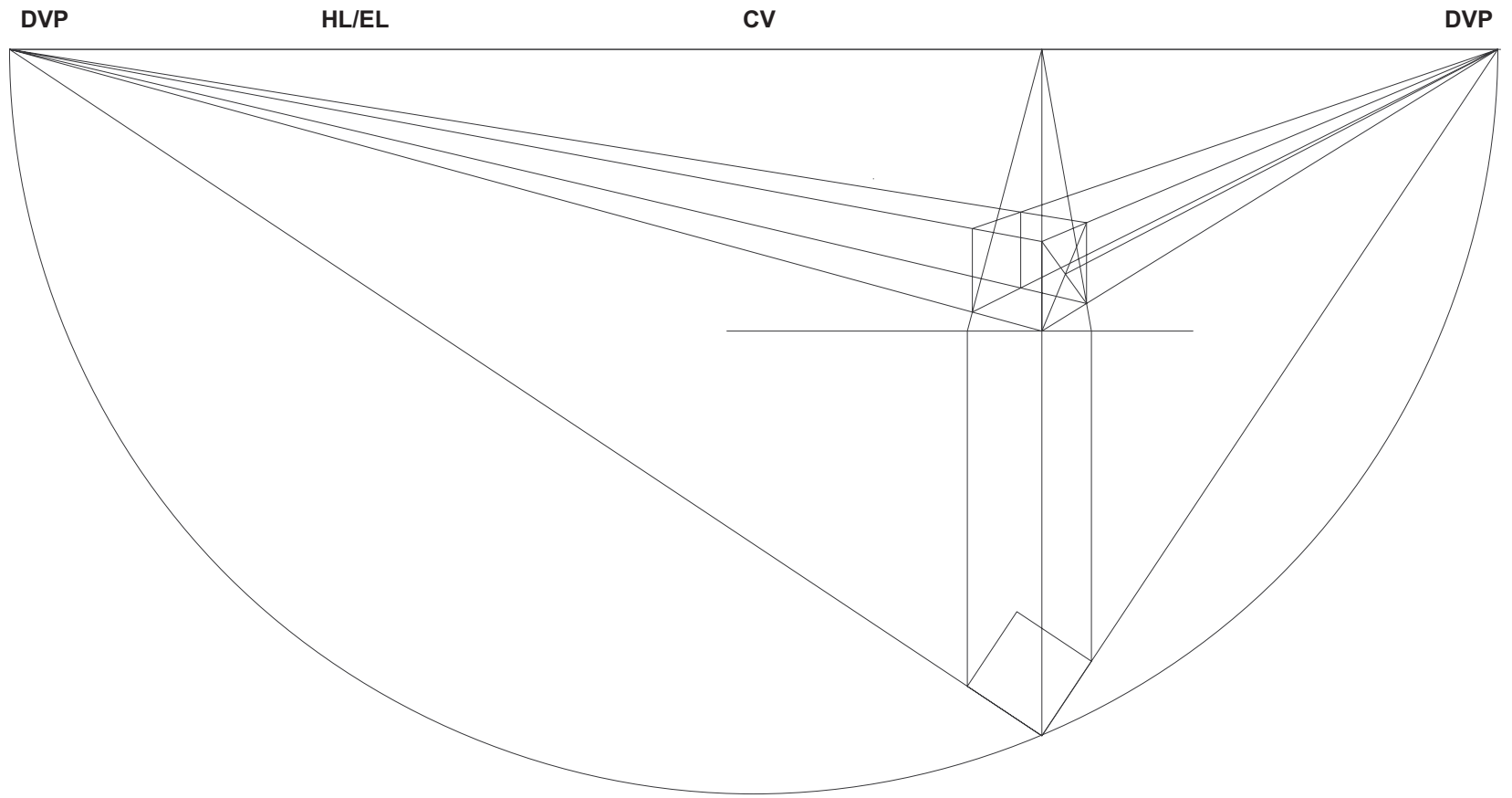
HOW TO PROPORTION
Rebecca B. Bennett



NOTES:

step 2
find the center
of the side to be
proportioned

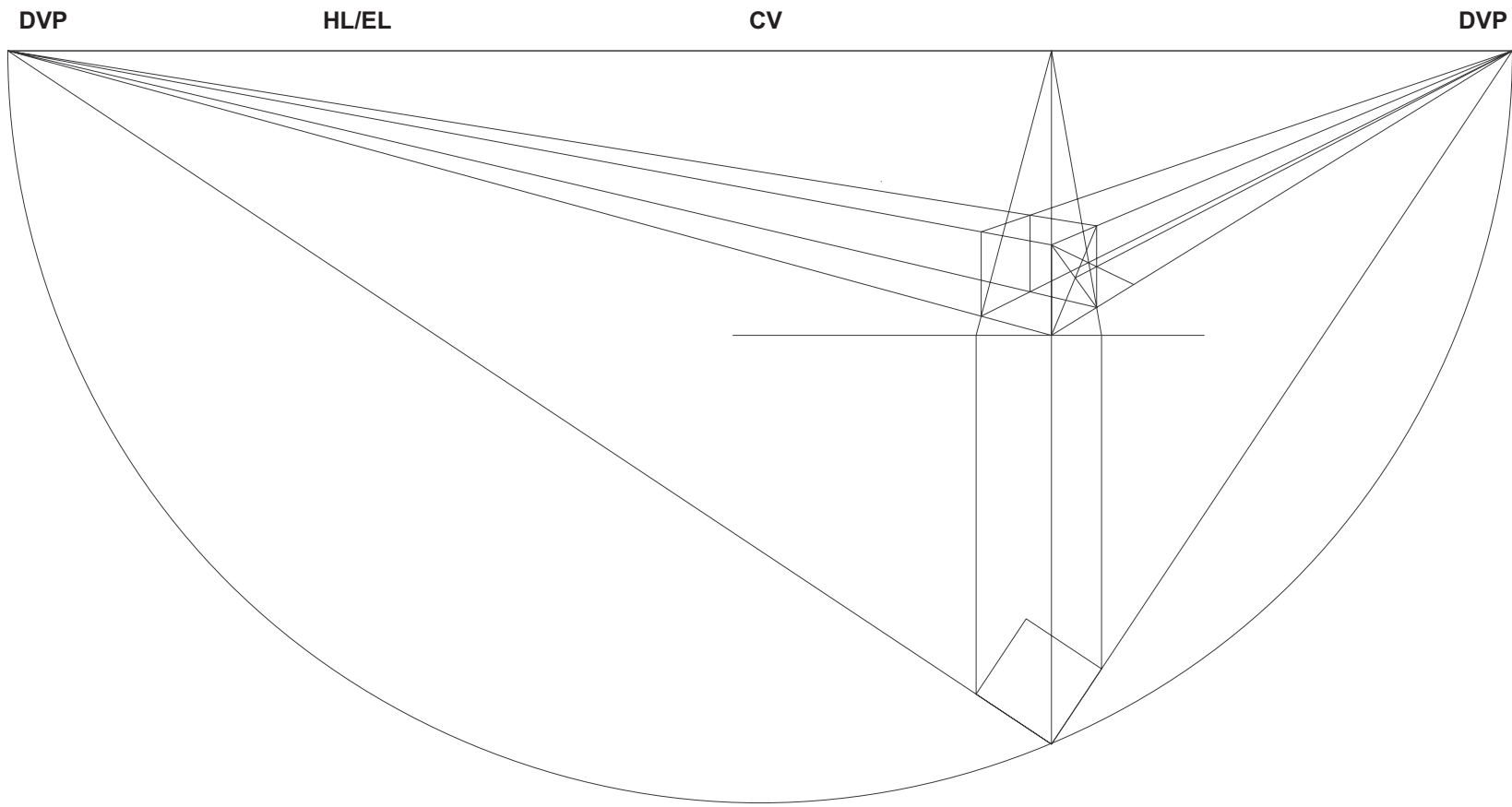
HOW TO PROPORTION
Rebecca B. Bennett



NOTES:

step 3
extend the
center back
to the VP

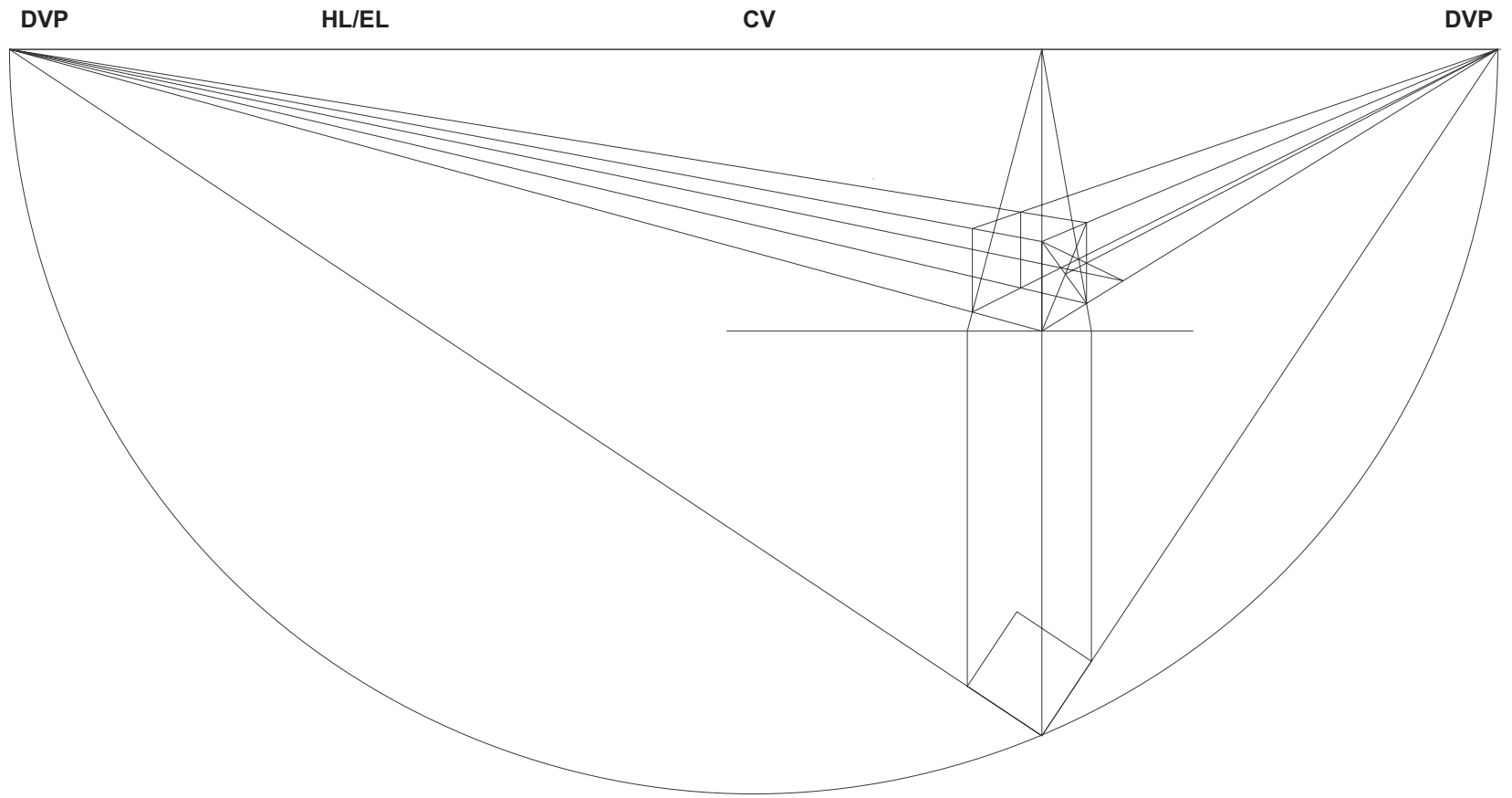
HOW TO PROPORTION
Rebecca B. Bennett



NOTES:

step 4
connect the
corner to the
orthogonal
through the
center of
the side

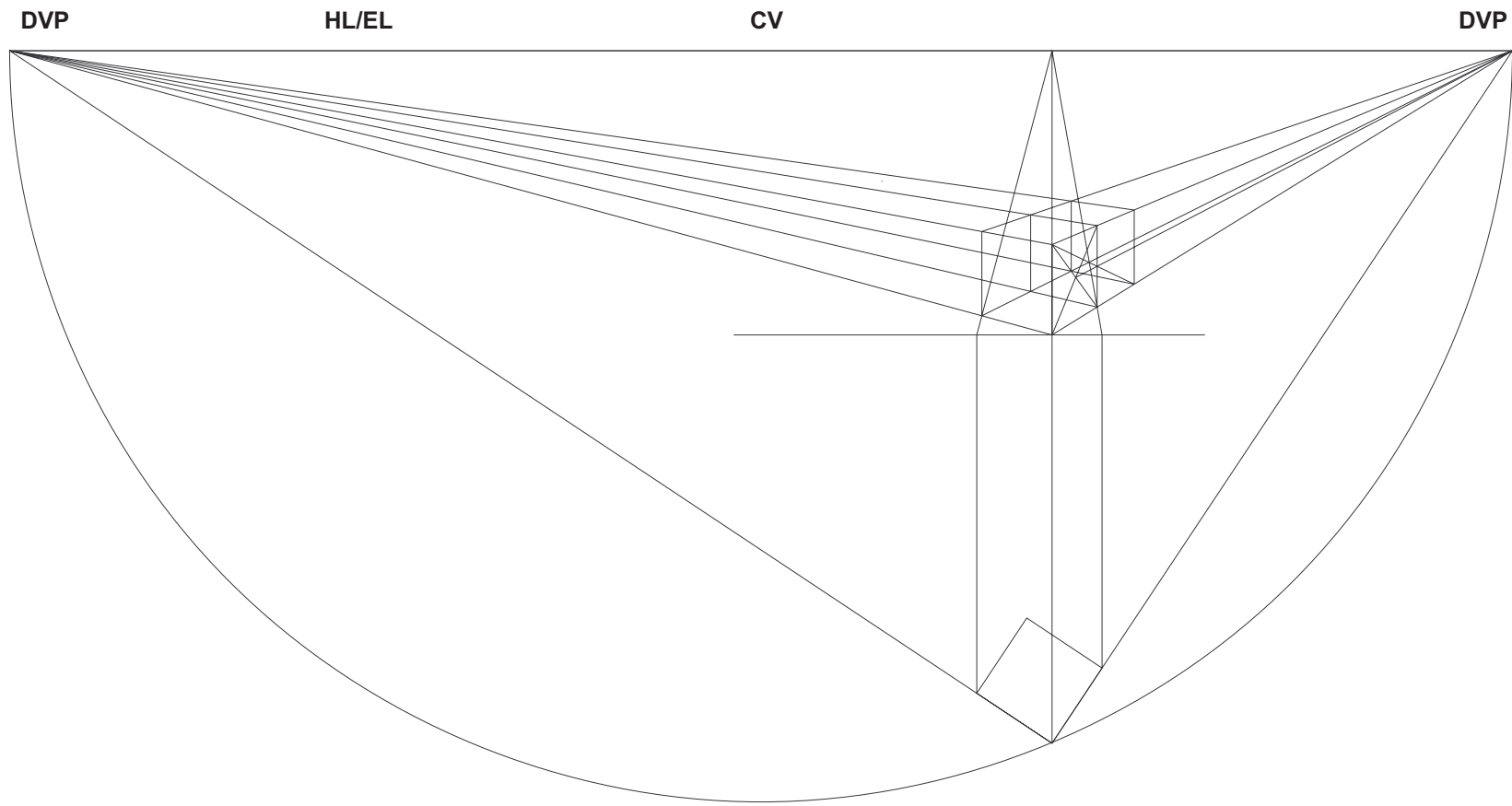
HOW TO PROPORTION
Rebecca B. Bennett



NOTES:

step 5
send this
intersection back
to the VP

HOW TO PROPORTION
Rebecca B. Bennett



NOTES:

step 6
complete
the form

