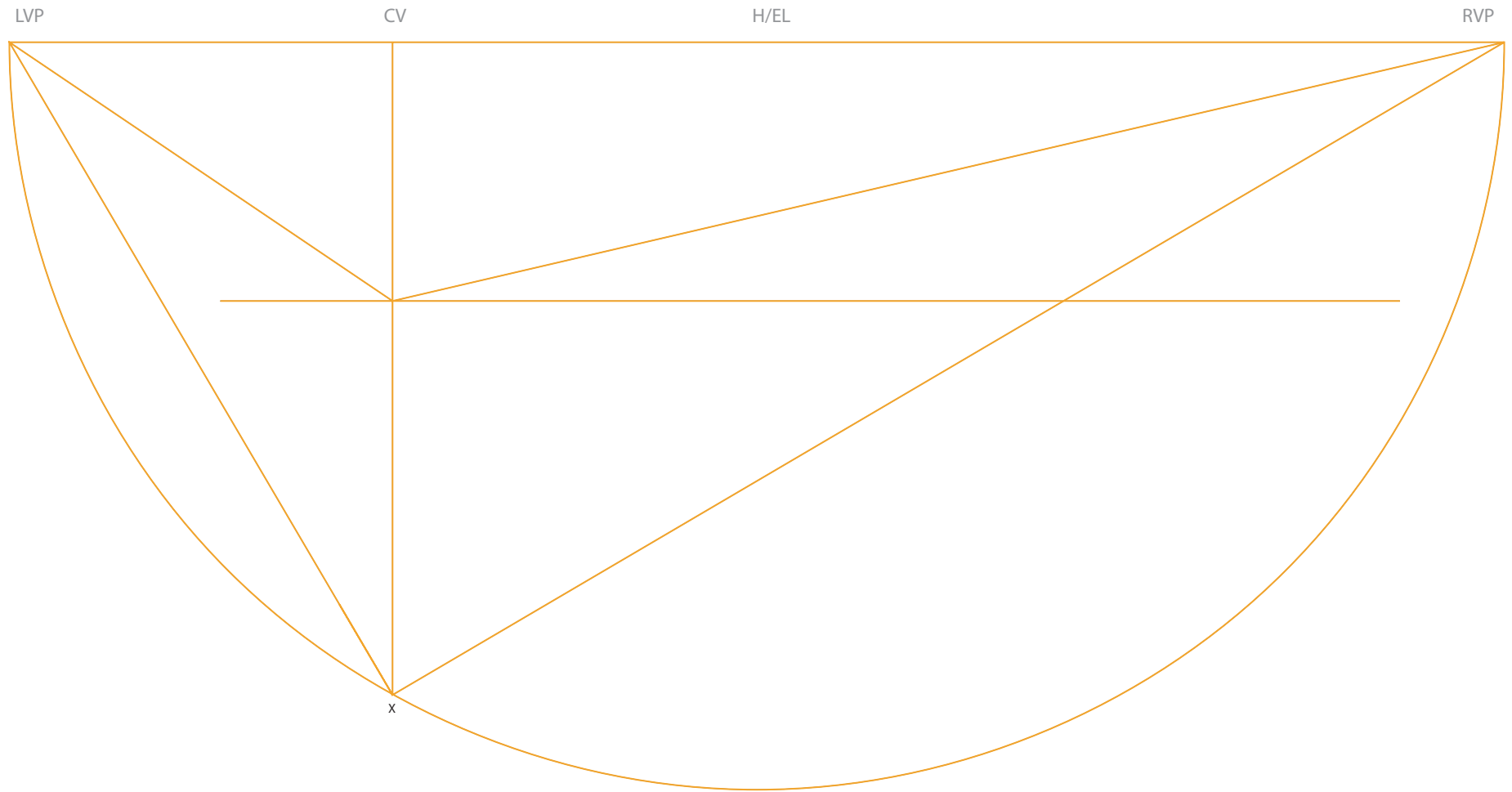


HOW TO DRAFT THE ROLLED CYLINDER

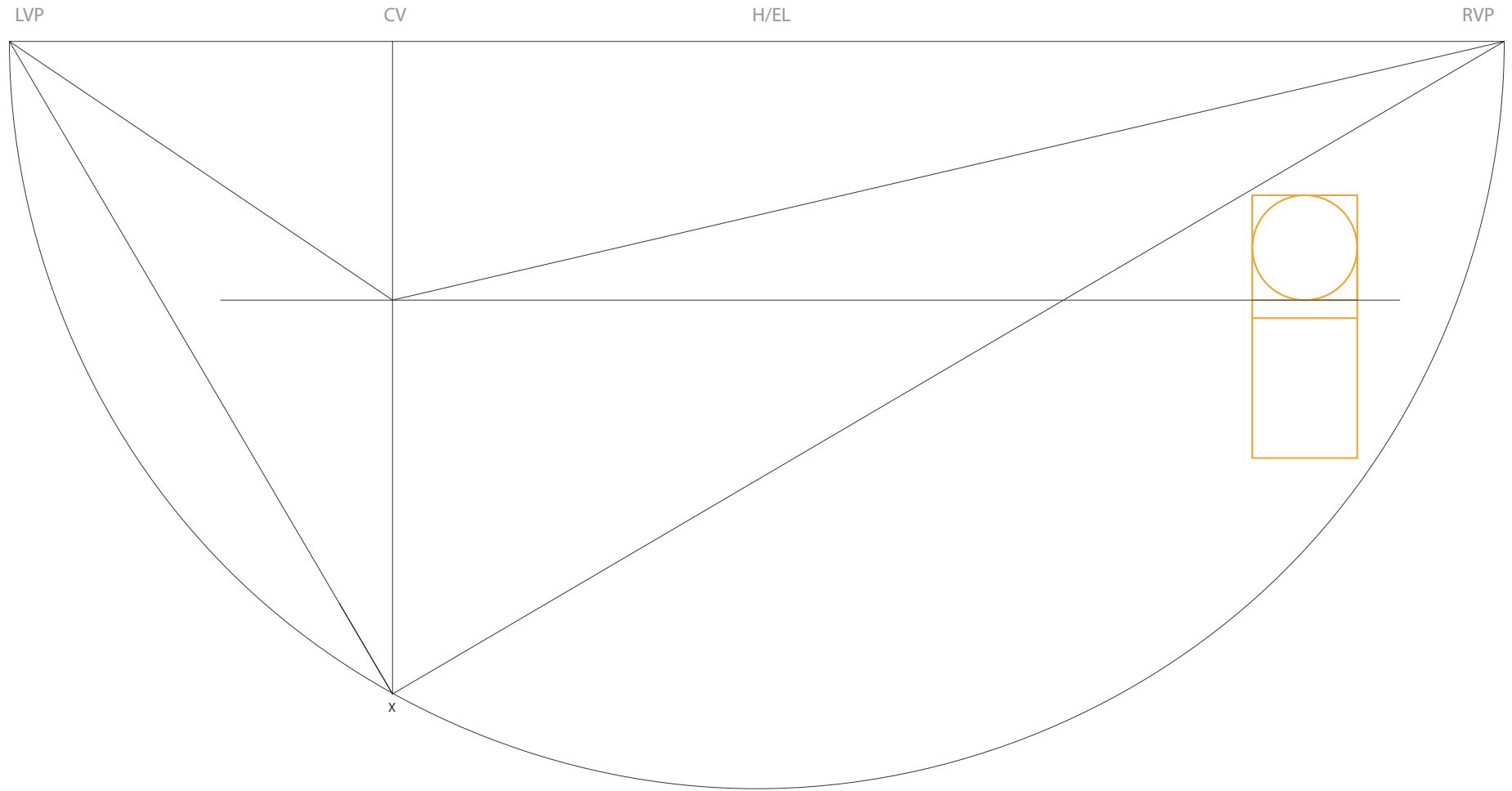
Rebecca B. Bennett



step 1
Set up the formula.

HOW TO DRAFT THE ROLLED CYLINDER

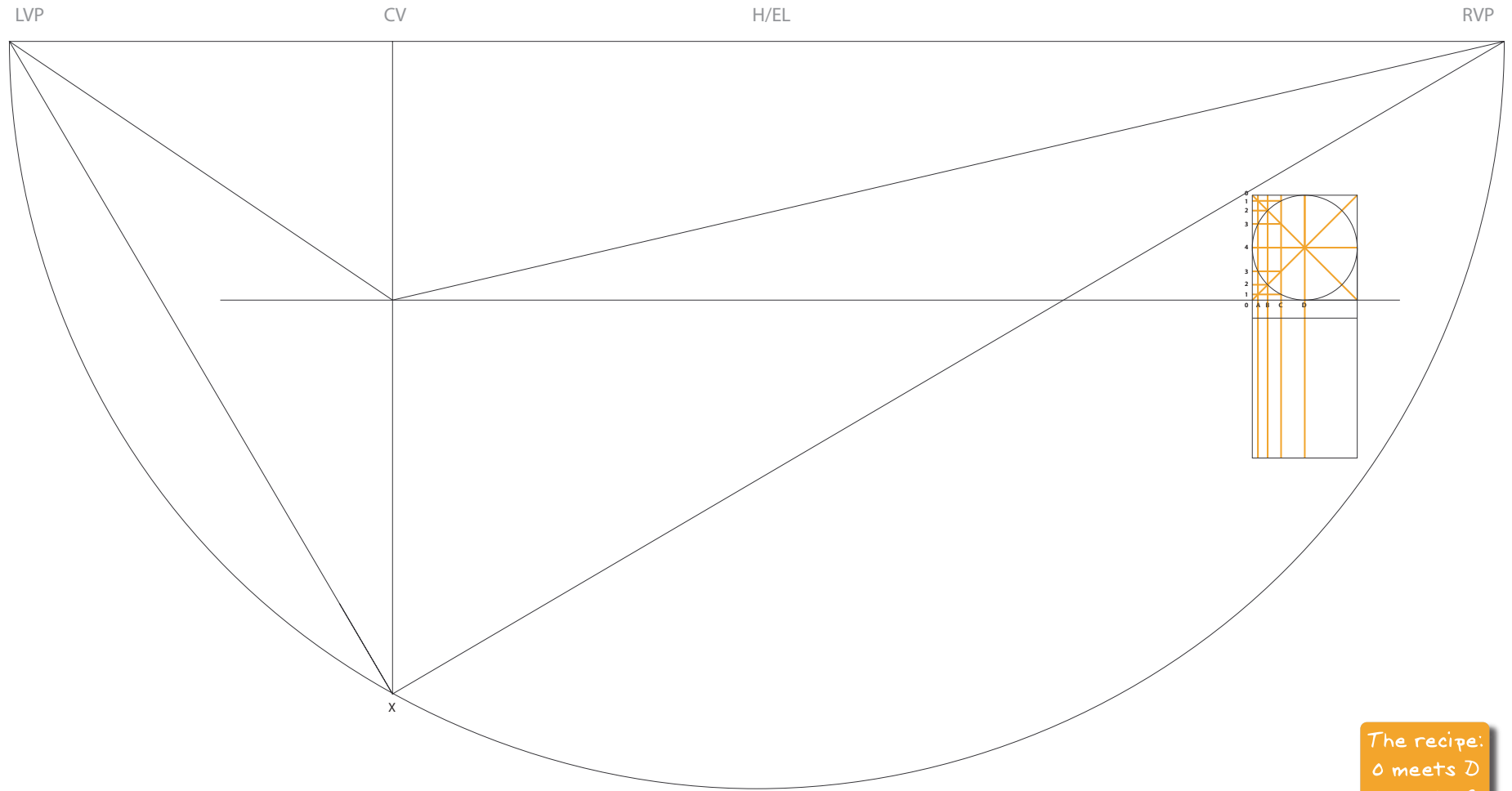
Rebecca B. Bennett



step 2
Draft the orthographic views so that the elevation "sits" on the GL.

HOW TO DRAFT THE ROLLED CYLINDER

Rebecca B. Bennett

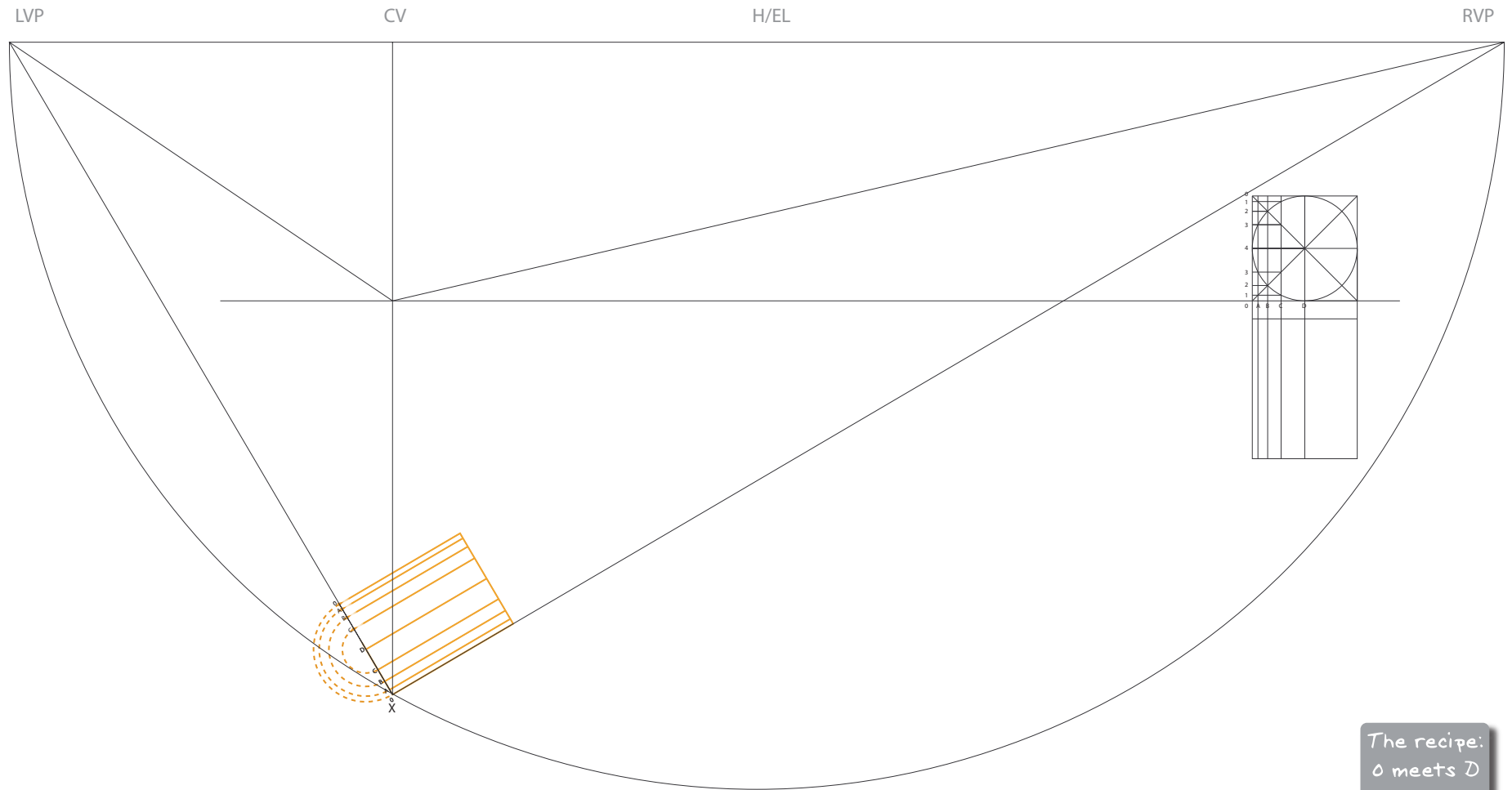


step 3
Find the grid in the circle and transfer the points to the plan view. Set up the recipe and label the points on the orthographic accordingly.

The recipe:
0 meets D
1 meets C
2 meets B
3 meets A
4 meets O

HOW TO DRAFT THE ROLLED CYLINDER

Rebecca B. Bennett

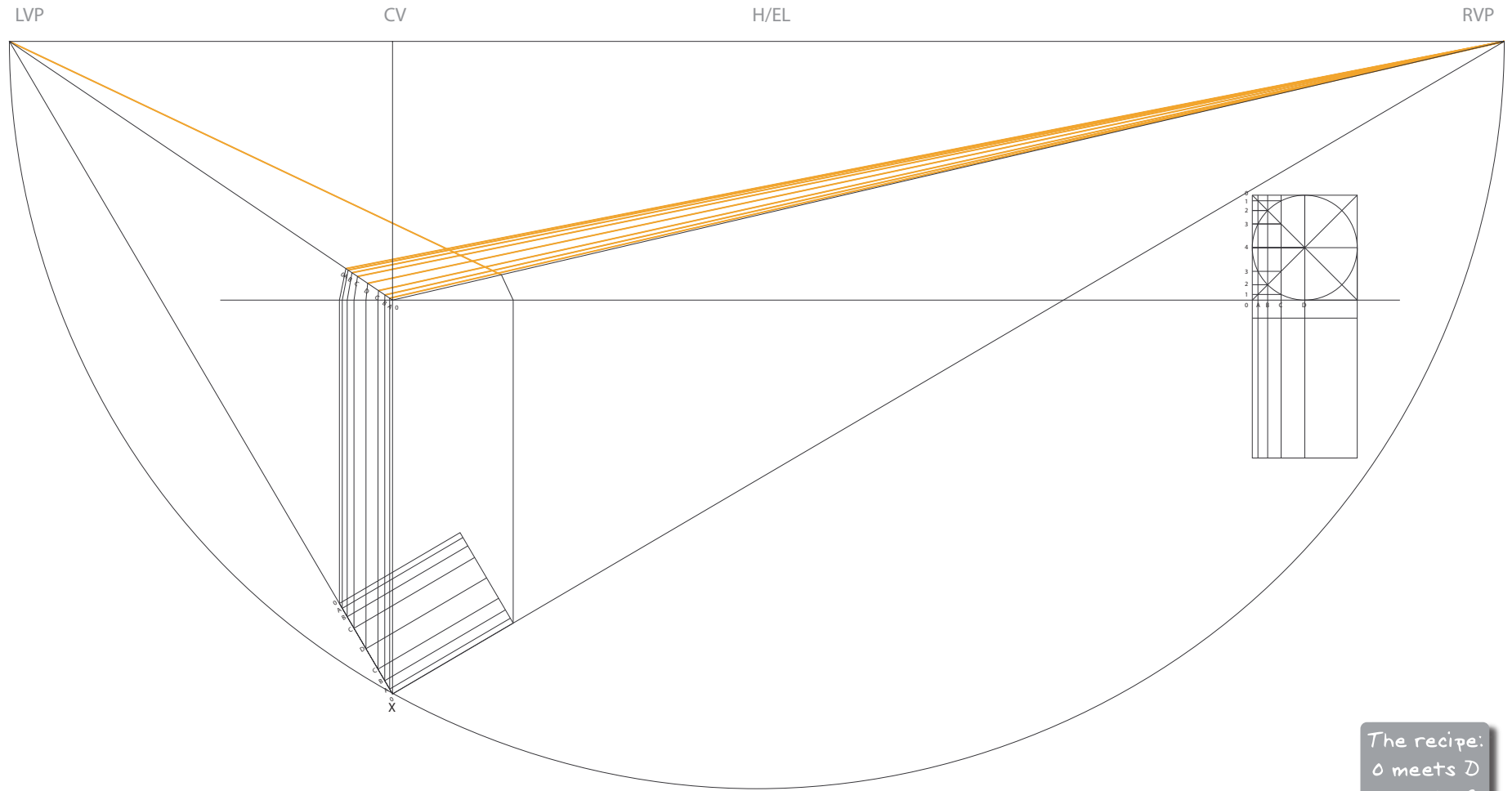


step 4
Using the compass, transfer $\frac{1}{4}$ of the plan to the point "x". Use the compass to complete the plan along the edge. Label the points.

The recipe:
0 meets D
1 meets C
2 meets B
3 meets A
4 meets O

HOW TO DRAFT THE ROLLED CYLINDER

Rebecca B. Bennett

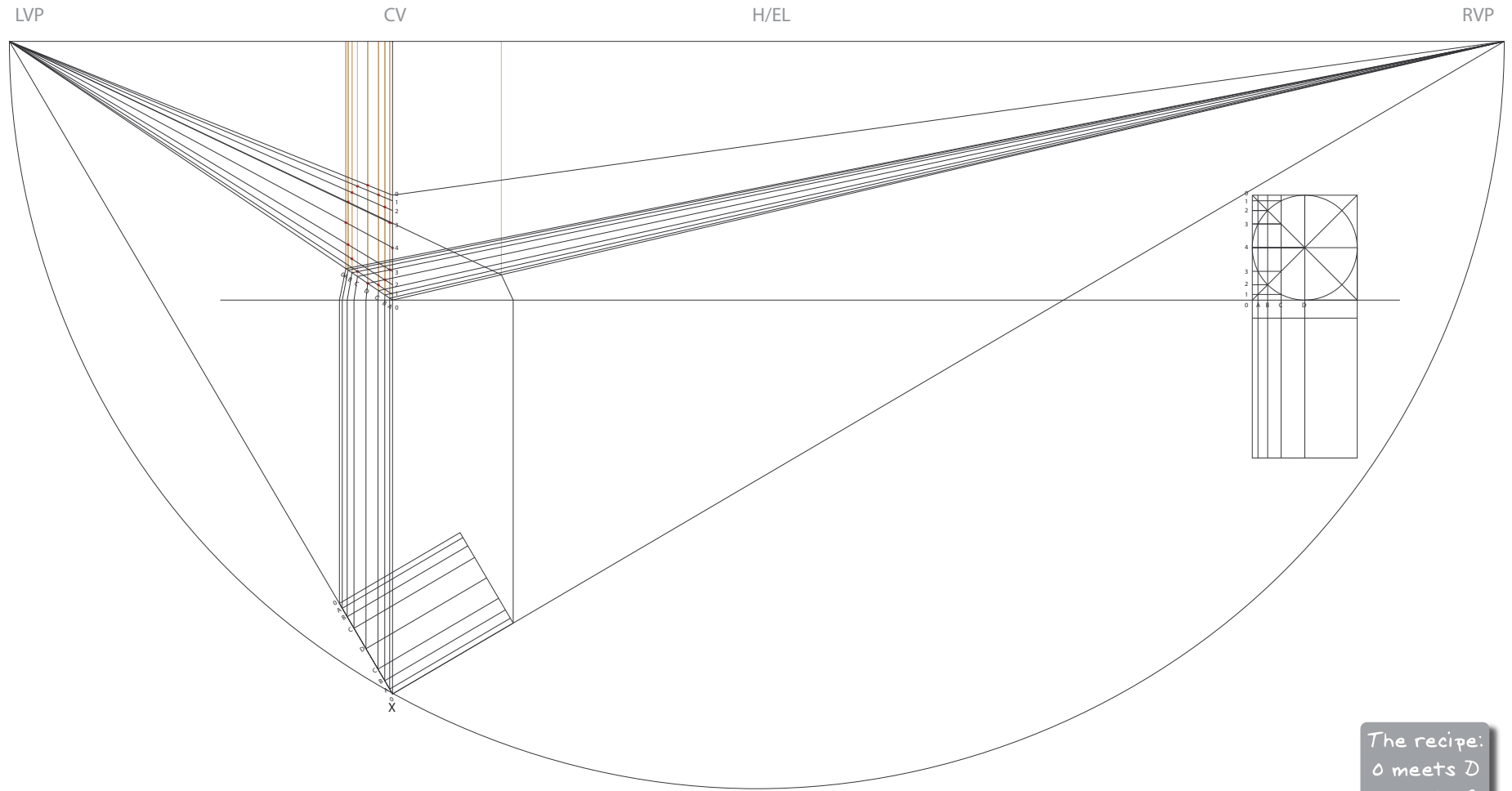


step 6
Extend the intersections back to the opposite VP.

The recipe:
0 meets D
1 meets C
2 meets B
3 meets A
4 meets 0

HOW TO DRAFT THE ROLLED CYLINDER

Rebecca B. Bennett

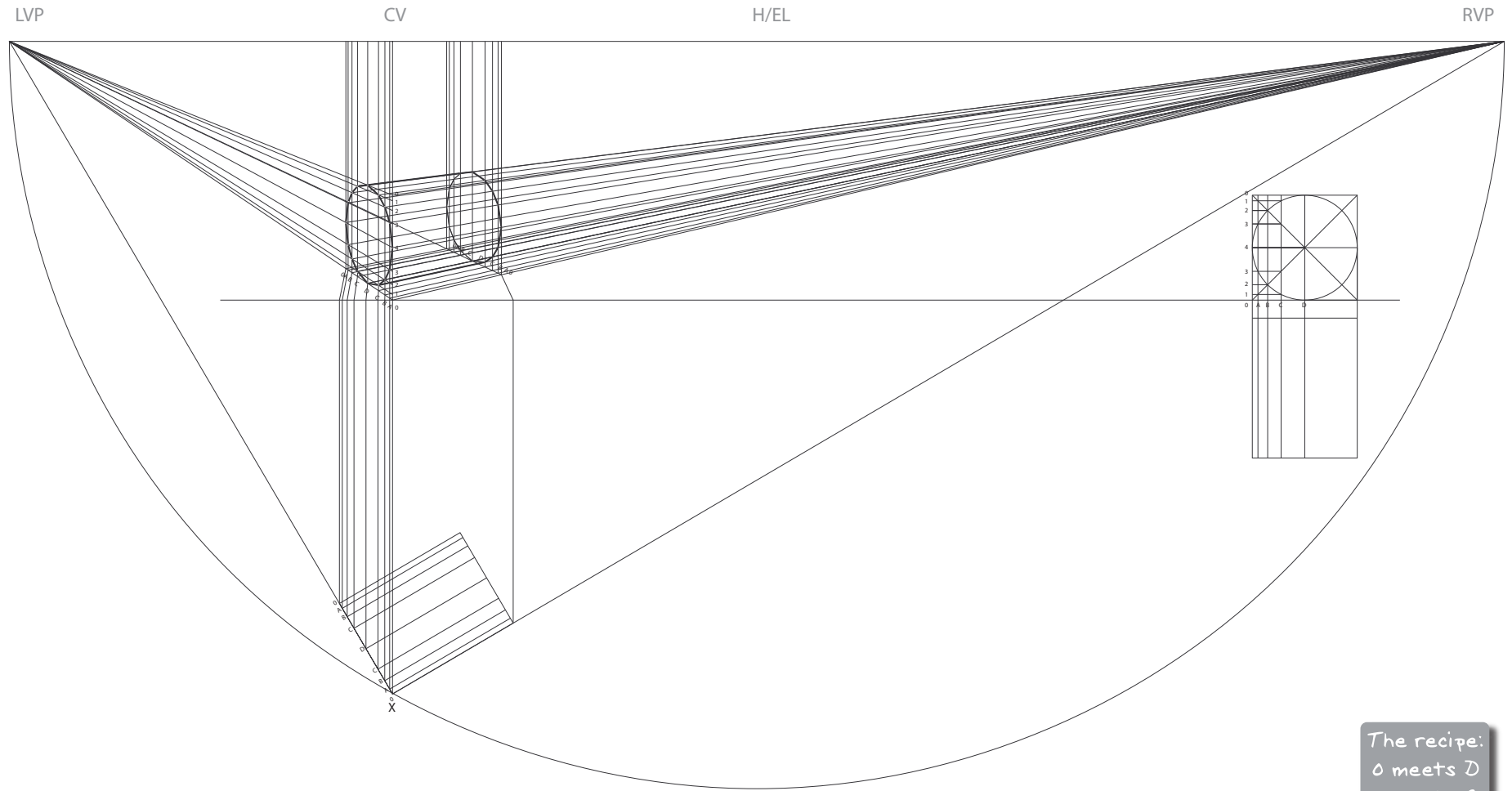


step 8
Extend lines straight up from the lettered points and find the intersections using the recipe.

The recipe:
0 meets D
1 meets C
2 meets B
3 meets A
4 meets 0

HOW TO DRAFT THE ROLLED CYLINDER

Rebecca B. Bennett



The recipe:
0 meets D
1 meets C
2 meets B
3 meets A
4 meets 0