

HOW TO DRAFT THE FORMULA

Rebecca B. Bennett

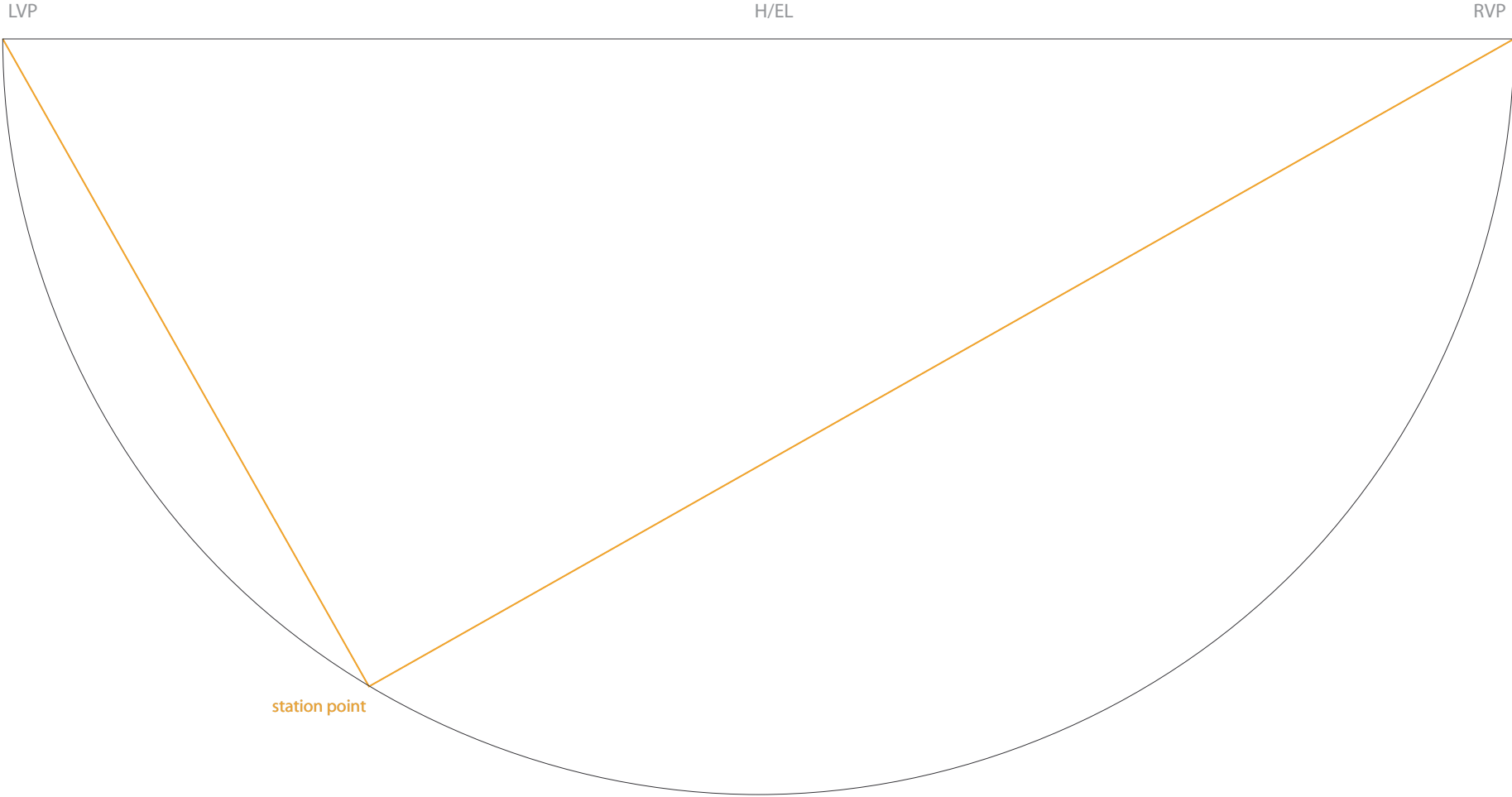


step 1

Draw a half circle with a diameter of about 36." Make a line with your Mayline ruler that from one edge of the circle through the center to the other edge.

HOW TO DRAFT THE FORMULA

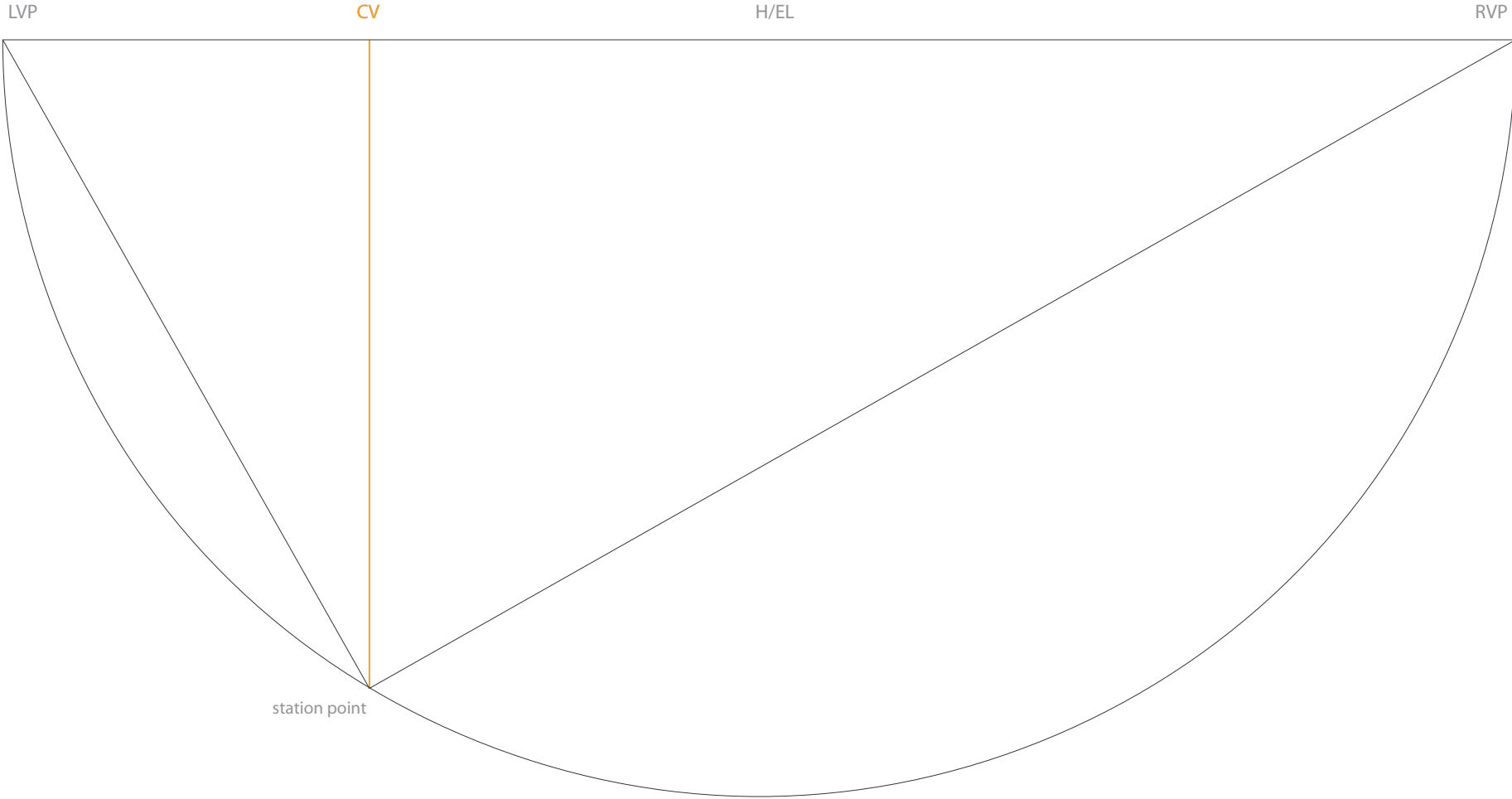
Rebecca B. Bennett



step 2
Make two line, have each extend from a VP, that intersect anywhere on the half circle.

HOW TO DRAFT THE FORMULA

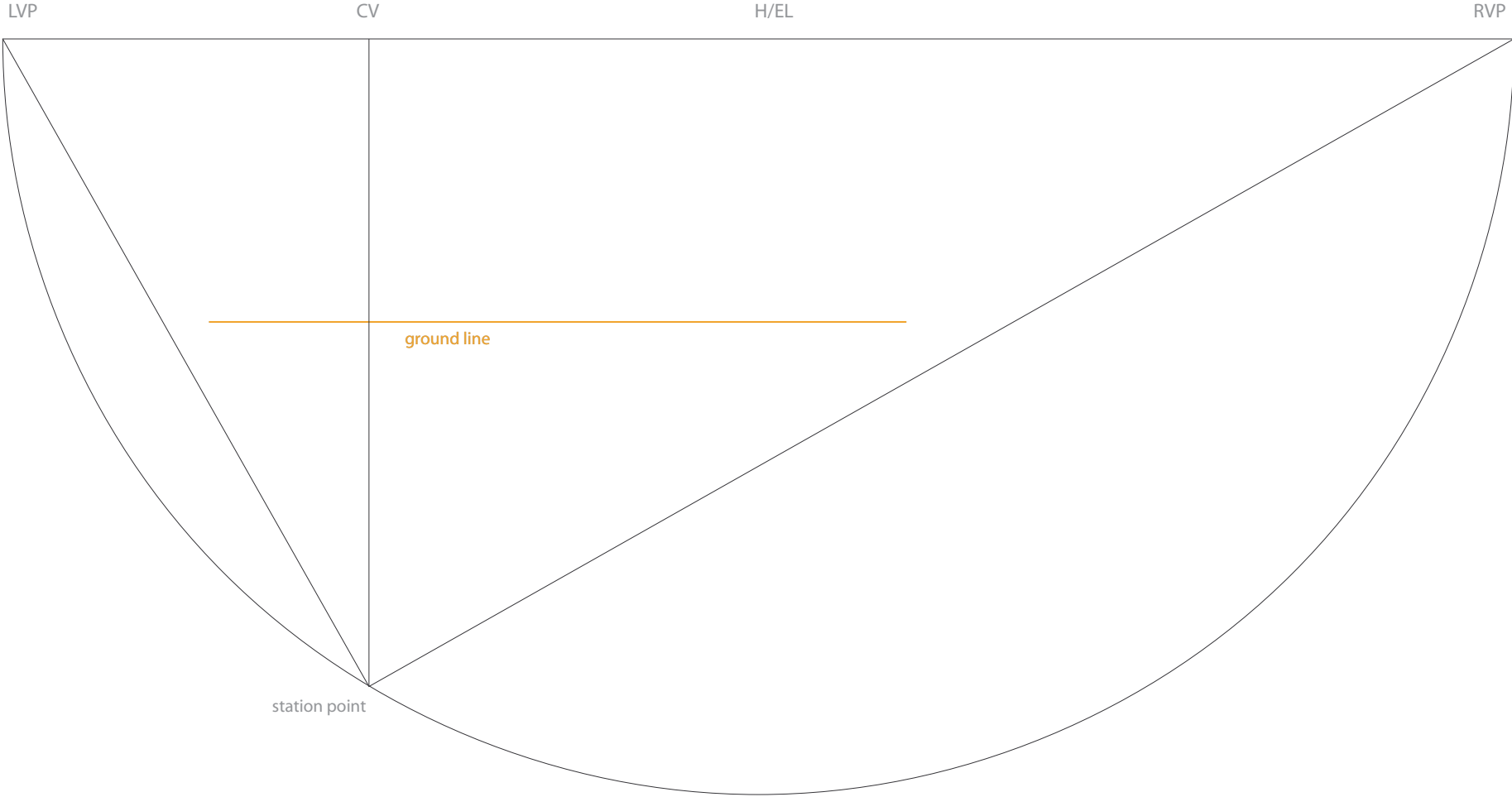
Rebecca B. Bennett



step 3
Use your triangle to extend a line from the intersection to the H/EL.

HOW TO DRAFT THE FORMULA

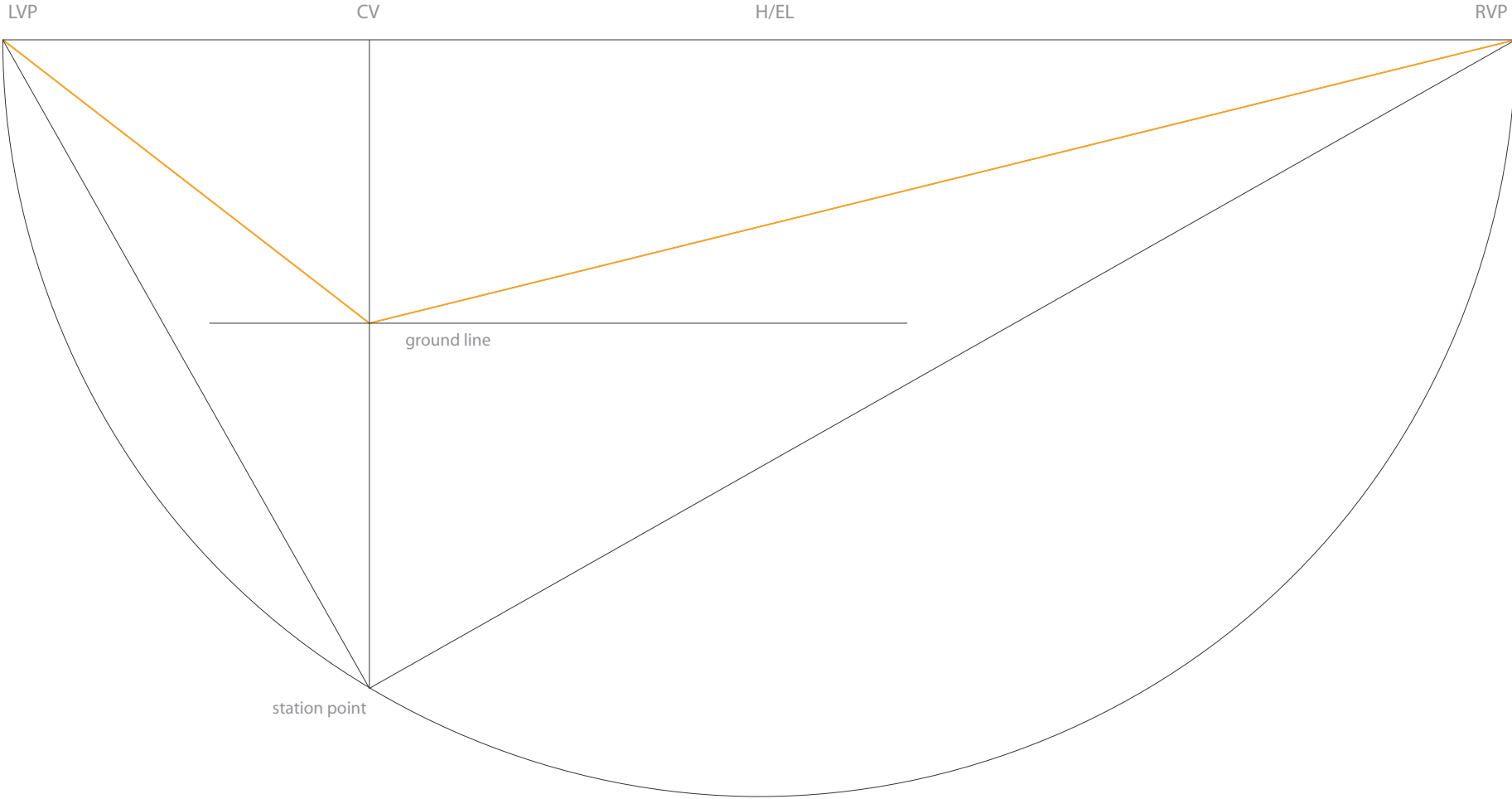
Rebecca B. Bennett



step 4
Establish the GL (parallel to the H/EL).

HOW TO DRAFT THE FORMULA

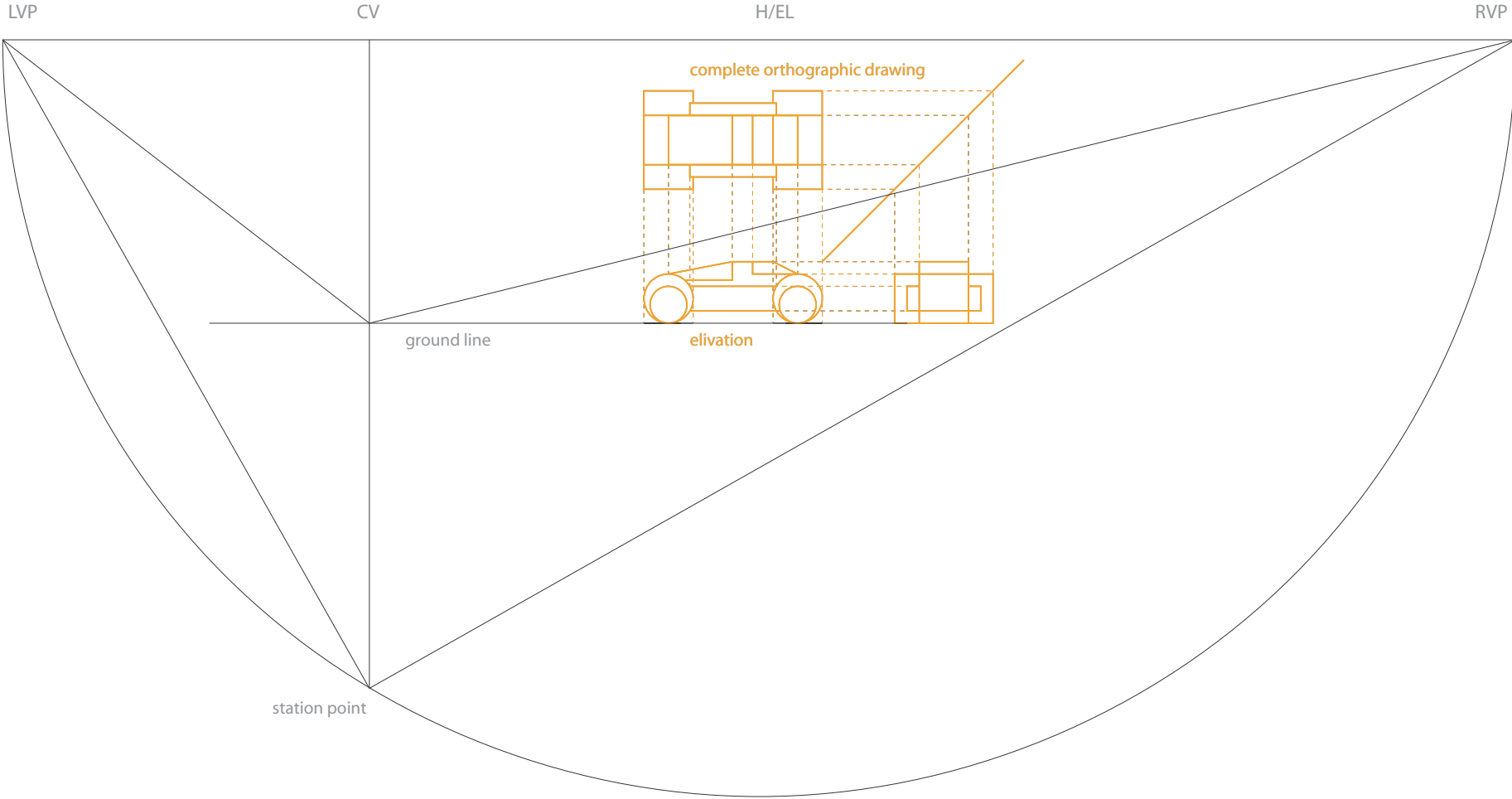
Rebecca B. Bennett



step 5
Create orthogonal lines from the intersection at the GL to the VPs.

HOW TO DRAFT THE FORMULA

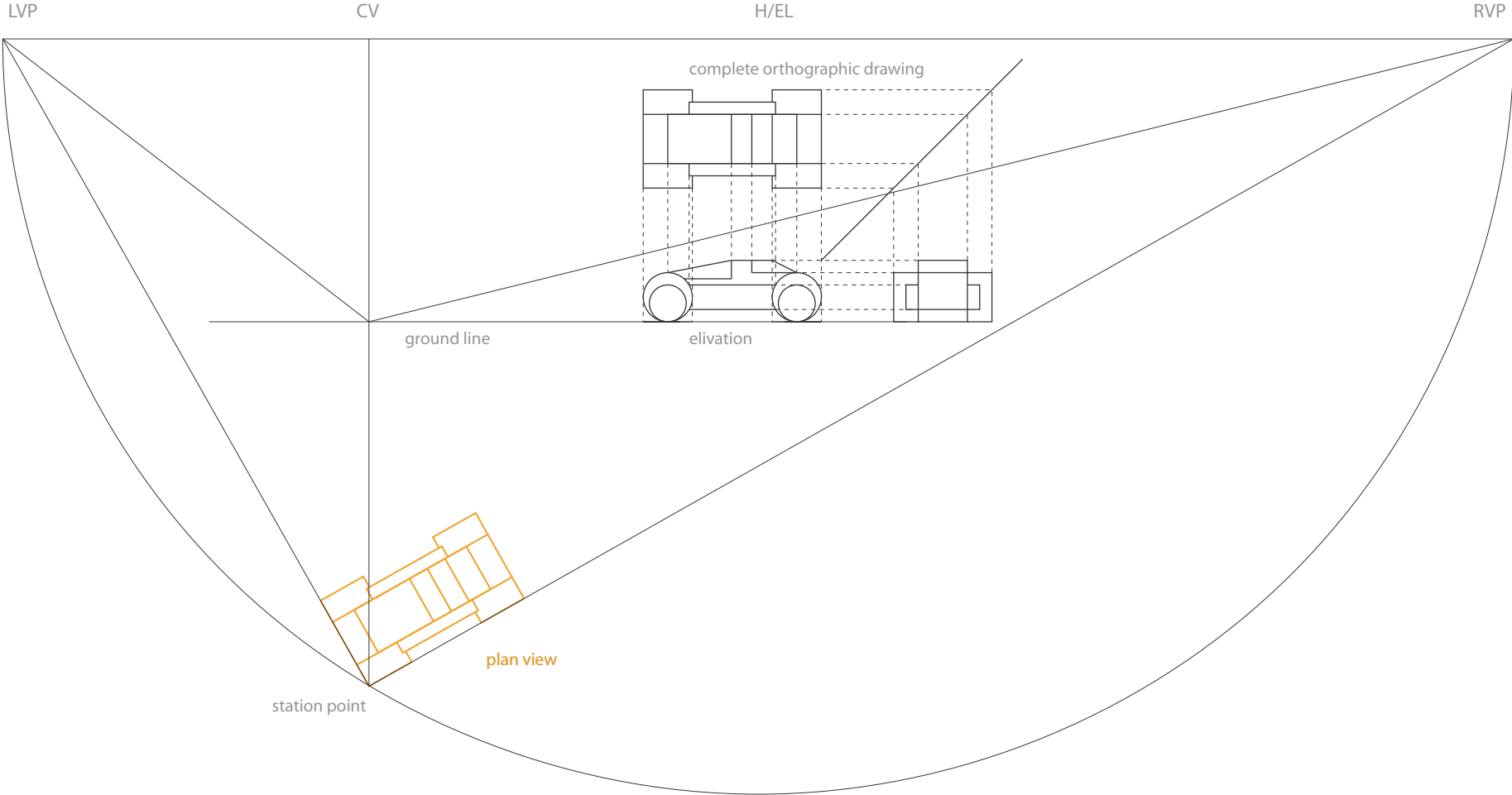
Rebecca B. Bennett



step 6
Draft the complete orthographic plan and elevation so that the elevation “sits” on the GL.

HOW TO DRAFT THE FORMULA

Rebecca B. Bennett



step 7
Using a compass, transfer the plan to the SP.