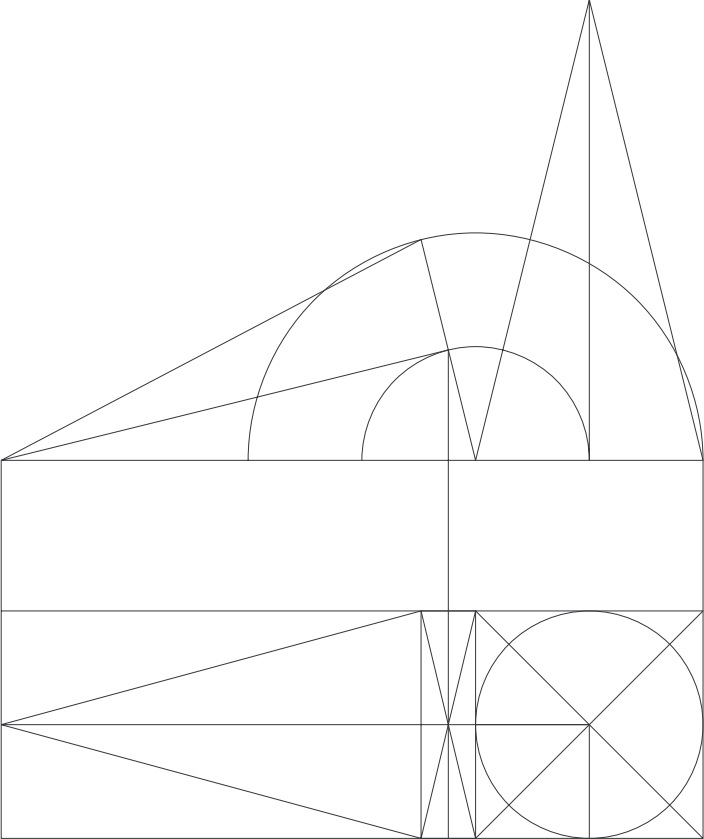


**HOW TO MAKE AN ORTHOGRAPHIC DRAWING OF A CONE**

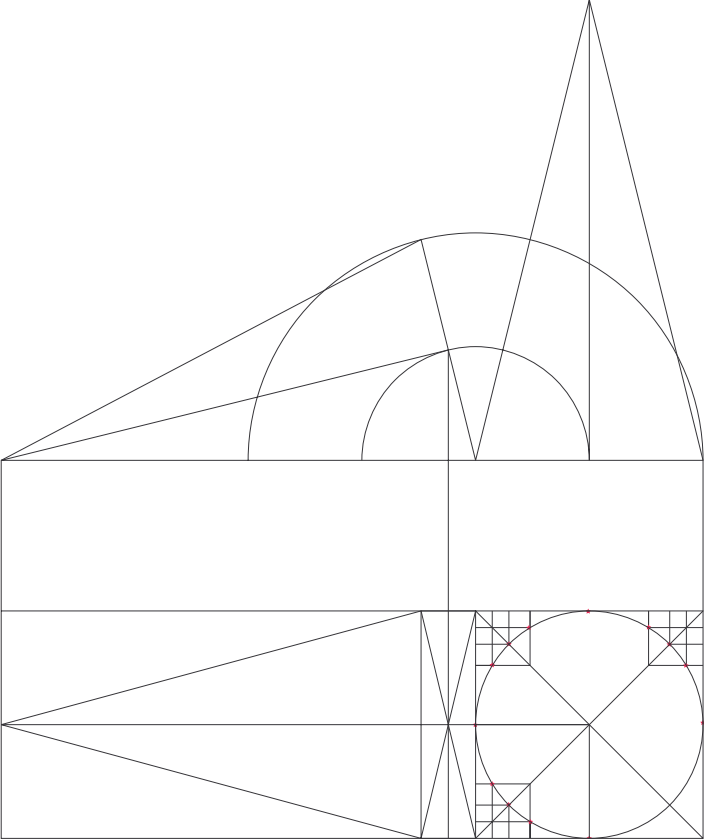
Rebecca B. Bennett



step 1  
Draft a pyramid and draw in the circle that is the plan of the cone.

# HOW TO MAKE AN ORTHOGRAPHIC DRAWING OF A CONE

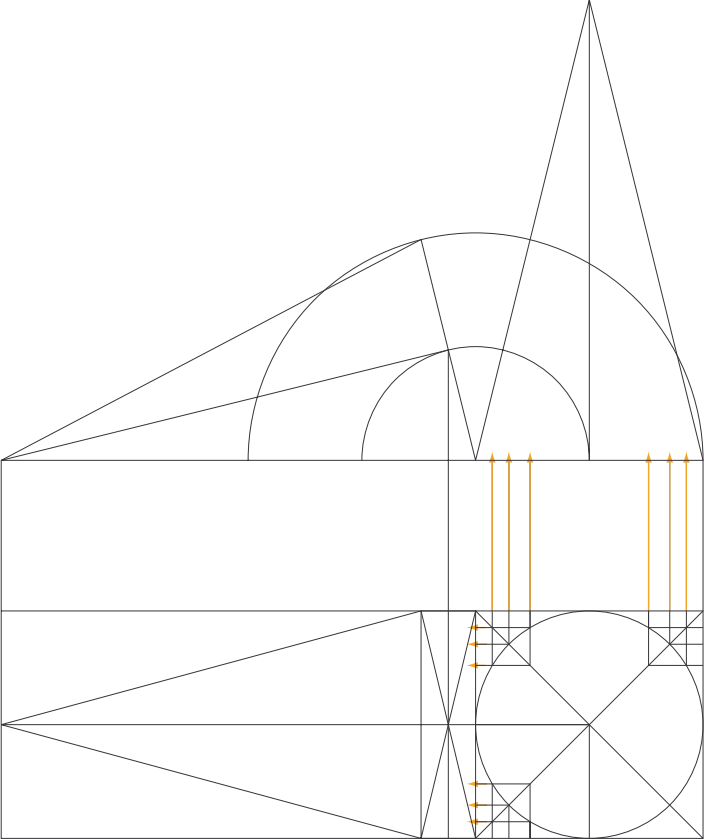
Rebecca B. Bennett



step 2  
Grid off the circle to find multiple points along the circle (at least 16 total only 13 are shown).

**HOW TO MAKE AN ORTHOGRAPHIC DRAWING OF A CONE**

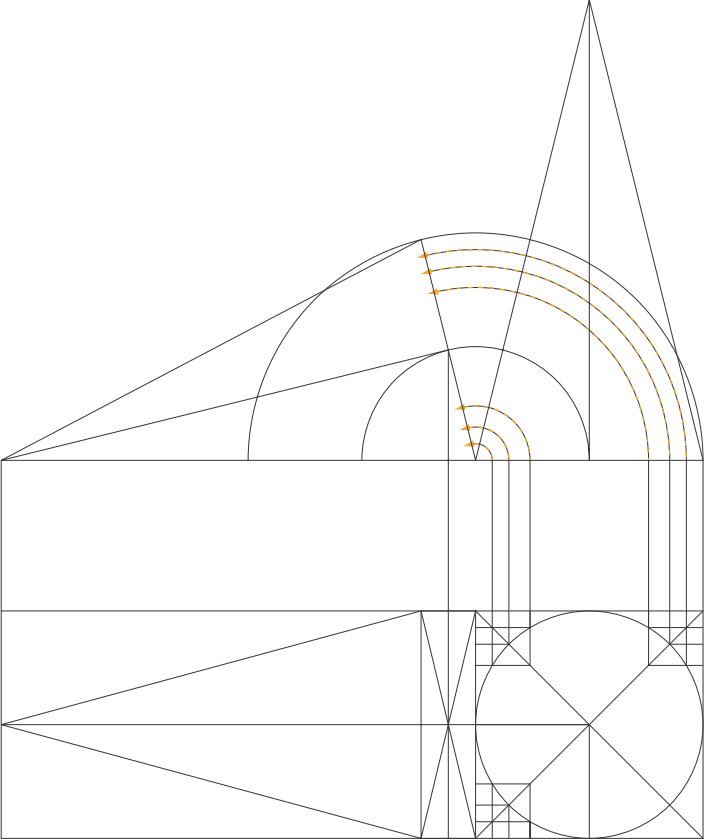
Rebecca B. Bennett



step 3  
Transfer these points straight up to the elevation of the standing cone and straight across to the plan view of the tipped cone.

**HOW TO MAKE AN ORTHOGRAPHIC DRAWING OF A CONE**

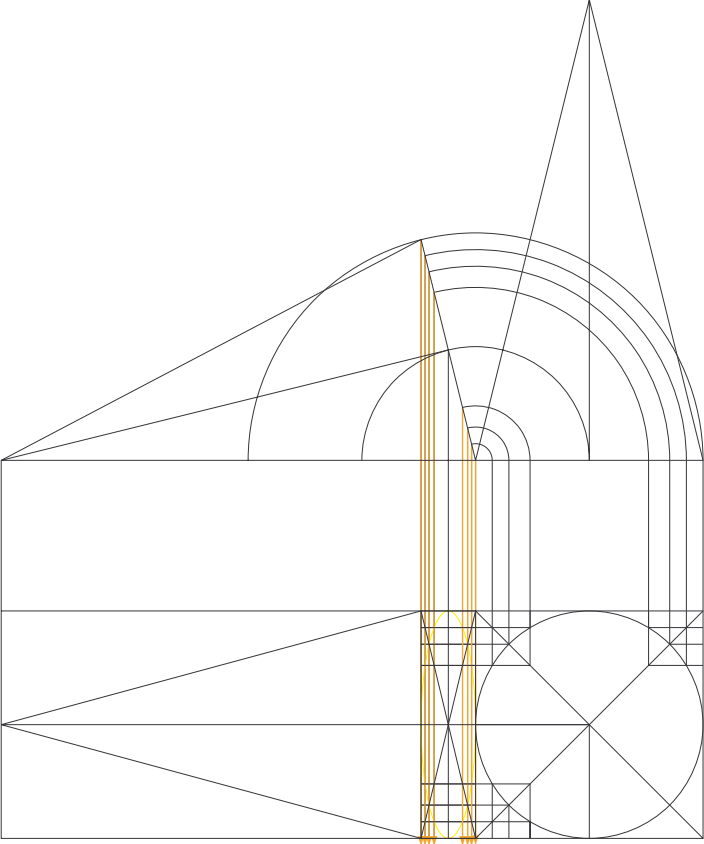
Rebecca B. Bennett



step 4  
From the elevation of the standing cone, transfer these points to the elevation of the tipped cone.  
Use a compass as you did for the tipped pyramid.

# HOW TO MAKE AN ORTHOGRAPHIC DRAWING OF A CONE

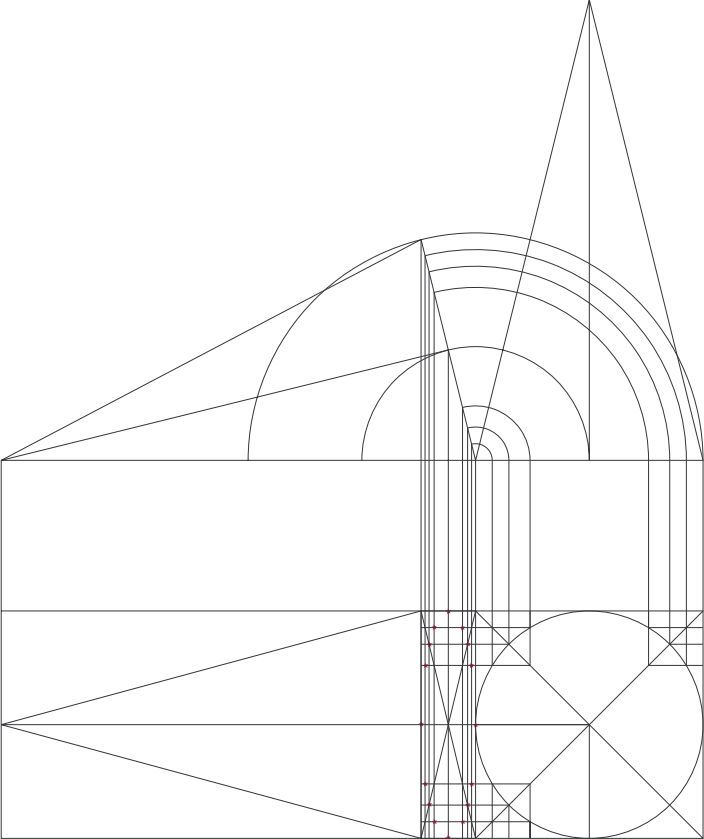
Rebecca B. Bennett



step 5  
From the intersection with the plan view, drop the points straight down to the plan of the tipped cone.

**HOW TO MAKE AN ORTHOGRAPHIC DRAWING OF A CONE**

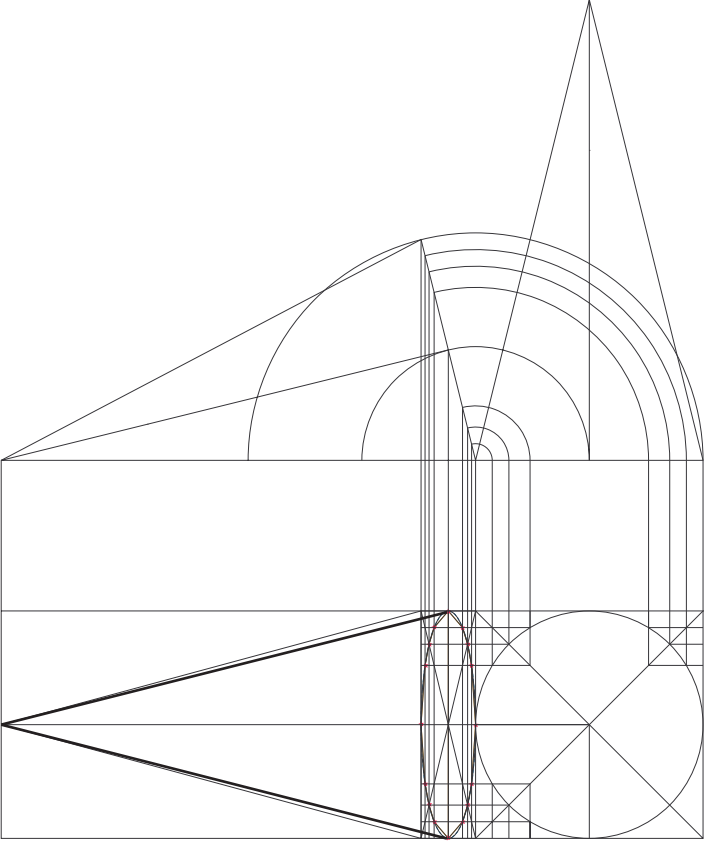
Rebecca B. Bennett



step 6  
Find the intersections...

# HOW TO MAKE AN ORTHOGRAPHIC DRAWING OF A CONE

Rebecca B. Bennett



step 7  
Connect the intersections in the plan of the tipped cone and connect them with a straight edge or a French curve to make an ellipse.