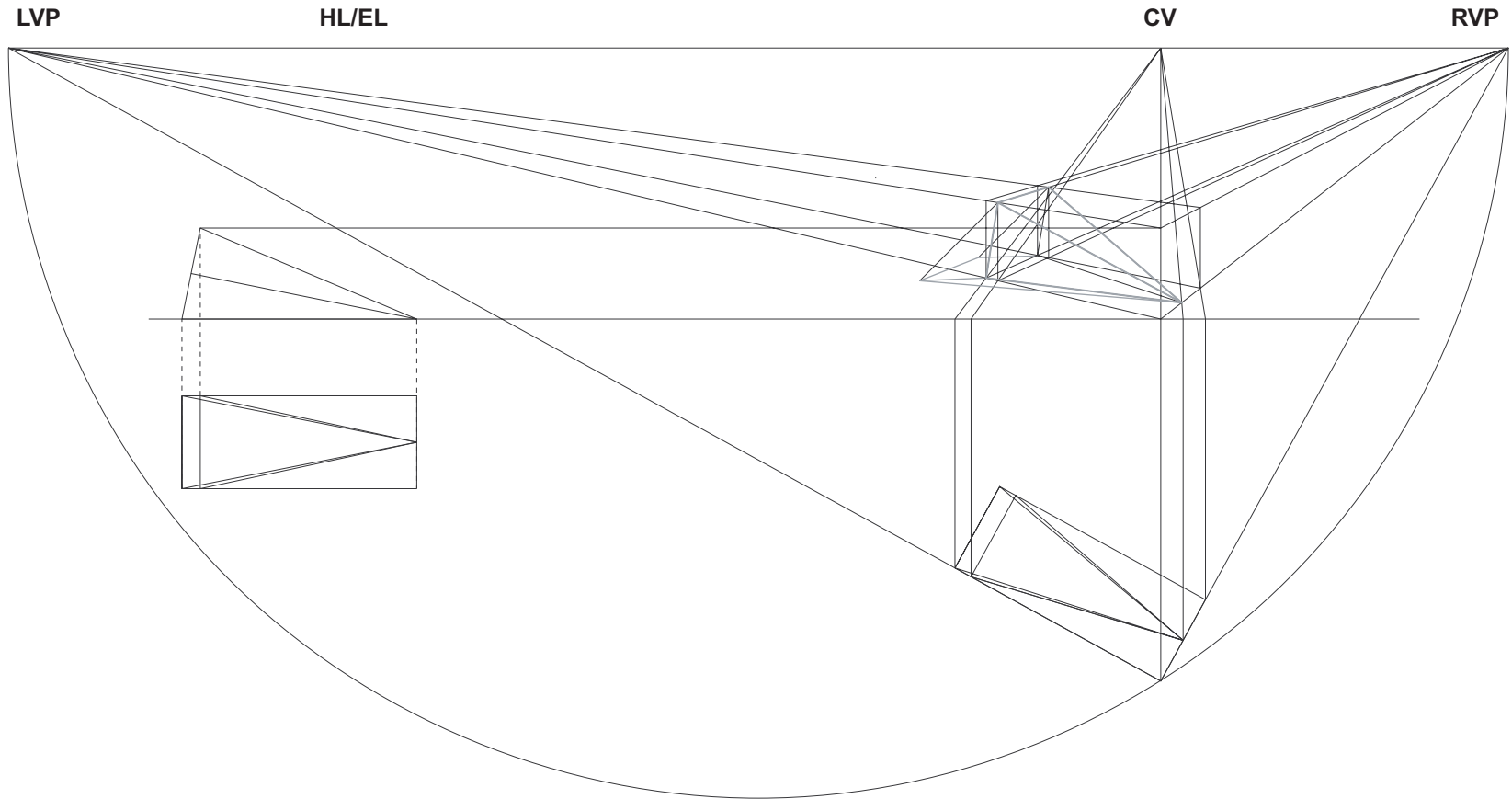


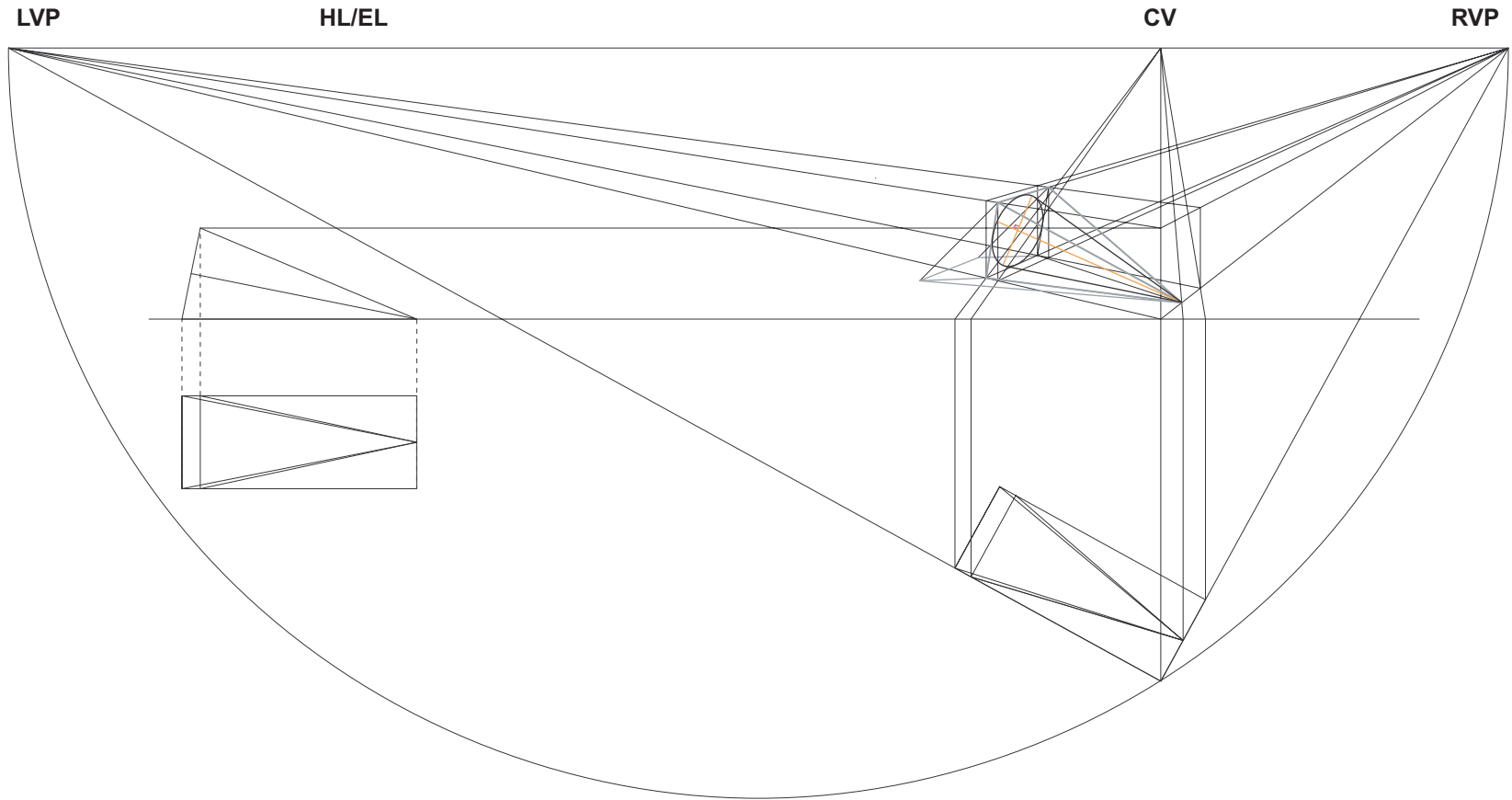
HOW TO DRAFT A TIPPED CONE
Rebecca B. Bennett



NOTES:

step 1
Draft the tipped
pyramid and its
shadow

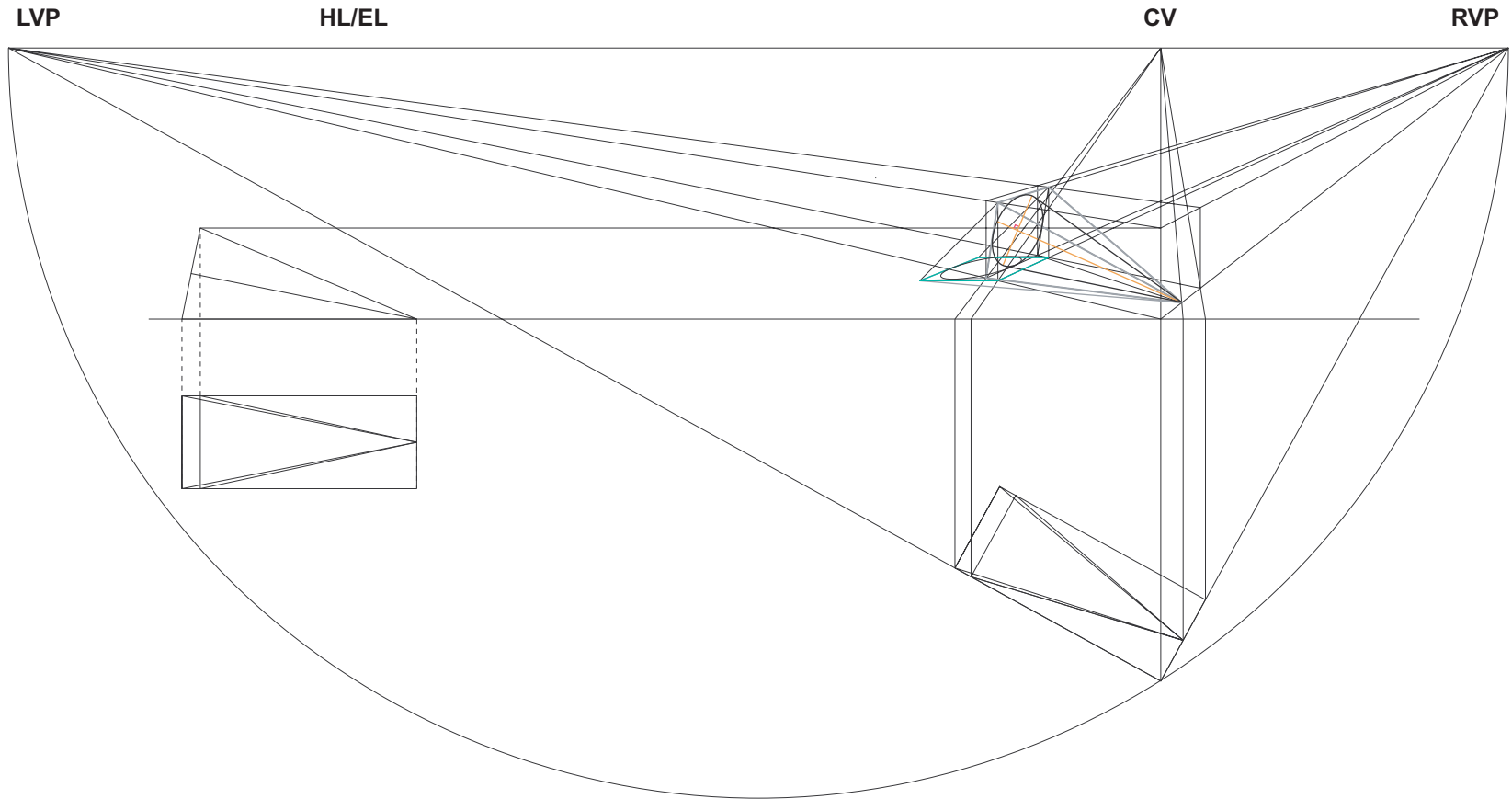
HOW TO DRAFT A TIPPED CONE
Rebecca B. Bennett



NOTES:

step 3
Connect the tip
to the edges of
the ellipse.

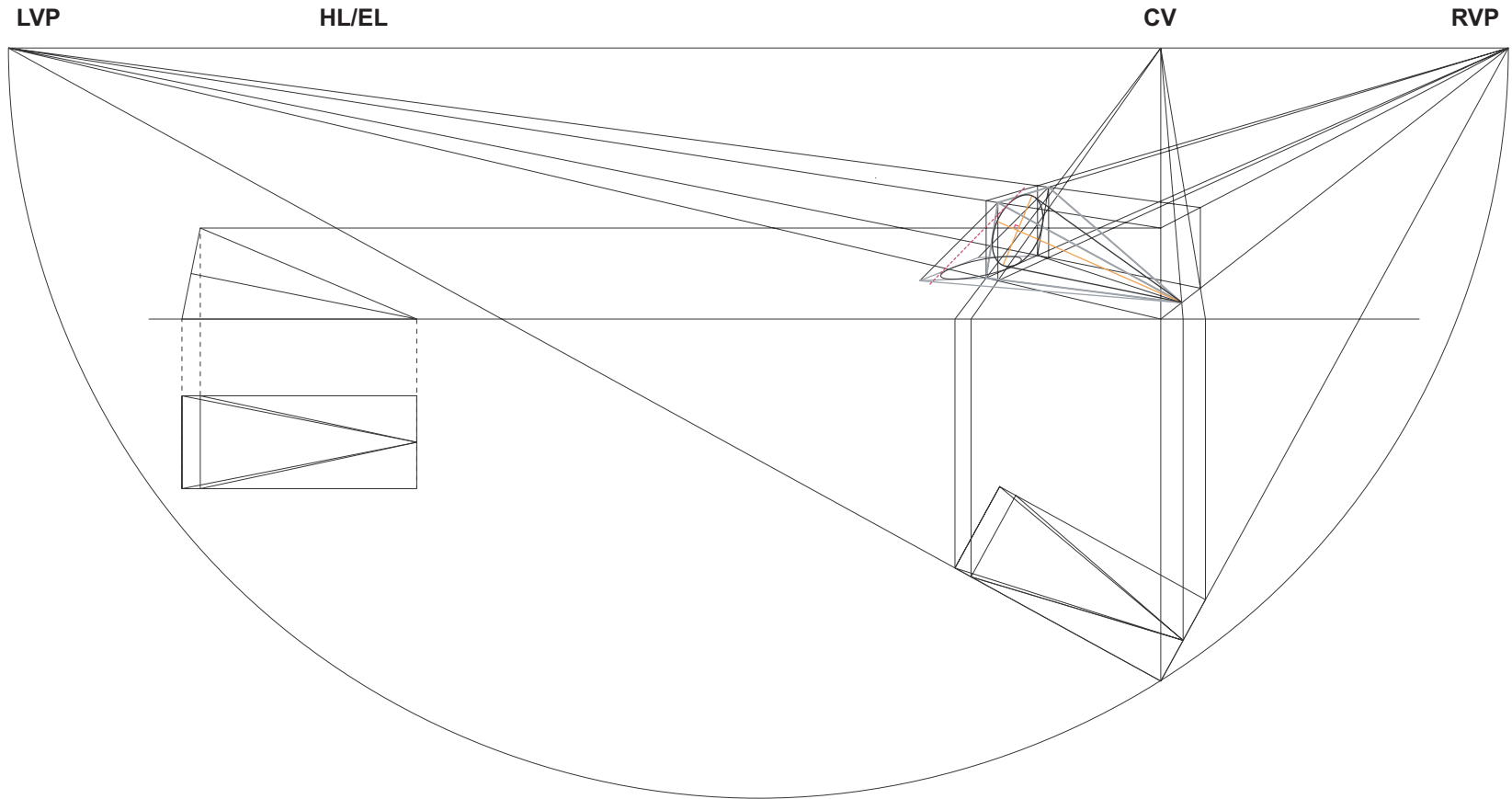
HOW TO DRAFT A TIPPED CONE
Rebecca B. Bennett



NOTES:

step 4
Sketch an ellipse in the shadow of the base.

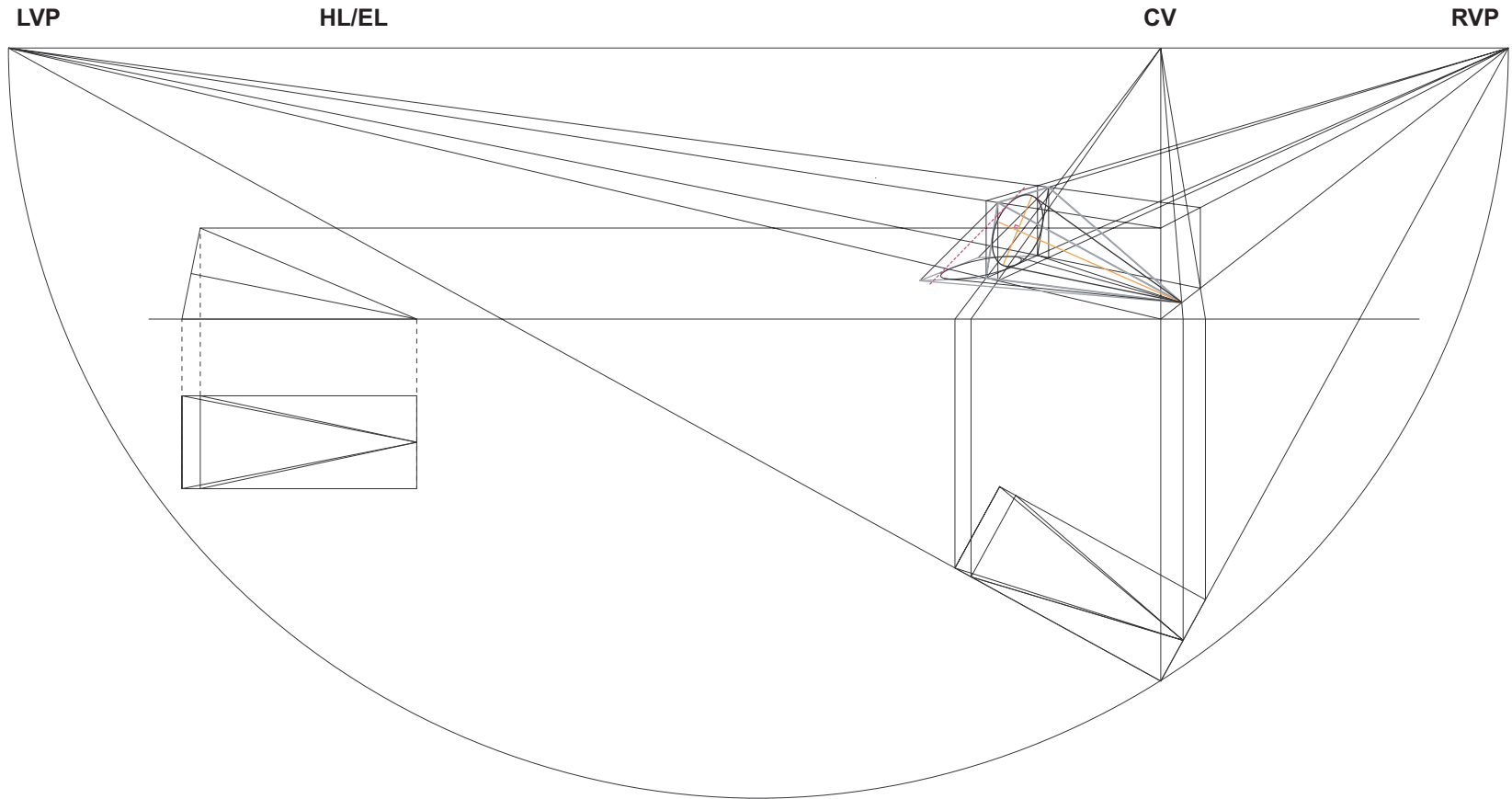
HOW TO DRAFT A TIPPED CONE
Rebecca B. Bennett



NOTES:

step 5
Check the size of the ellipse with altitude lines tangent to the ellipse.

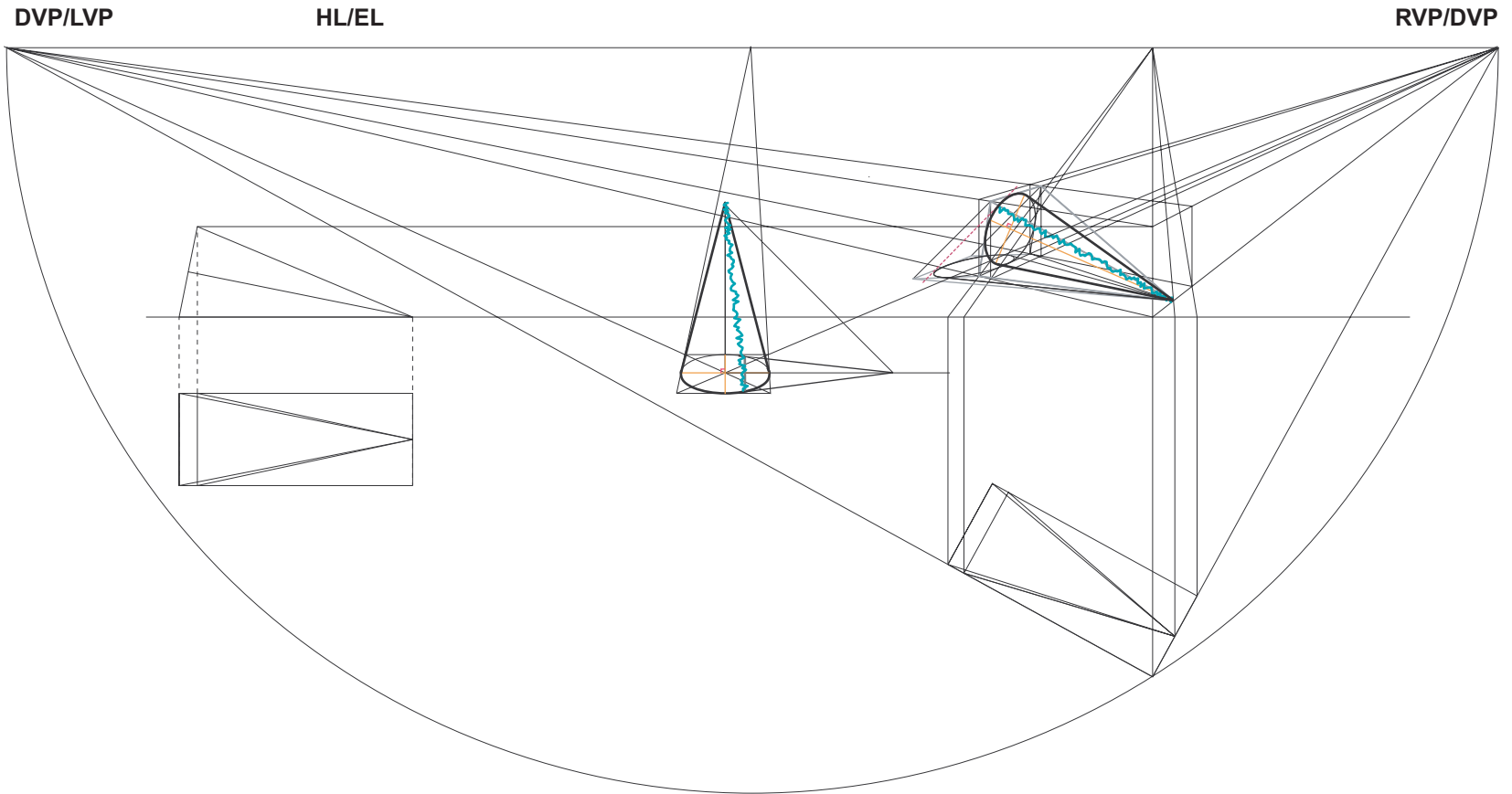
HOW TO DRAFT A TIPPED CONE
Rebecca B. Bennett



NOTES:

step 6
Connect the
ellipse to the tip.

HOW TO DRAFT A TIPPED CONE
Rebecca B. Bennett



NOTES:

step 8
Here is the
standing cone
with the tipped
cone.