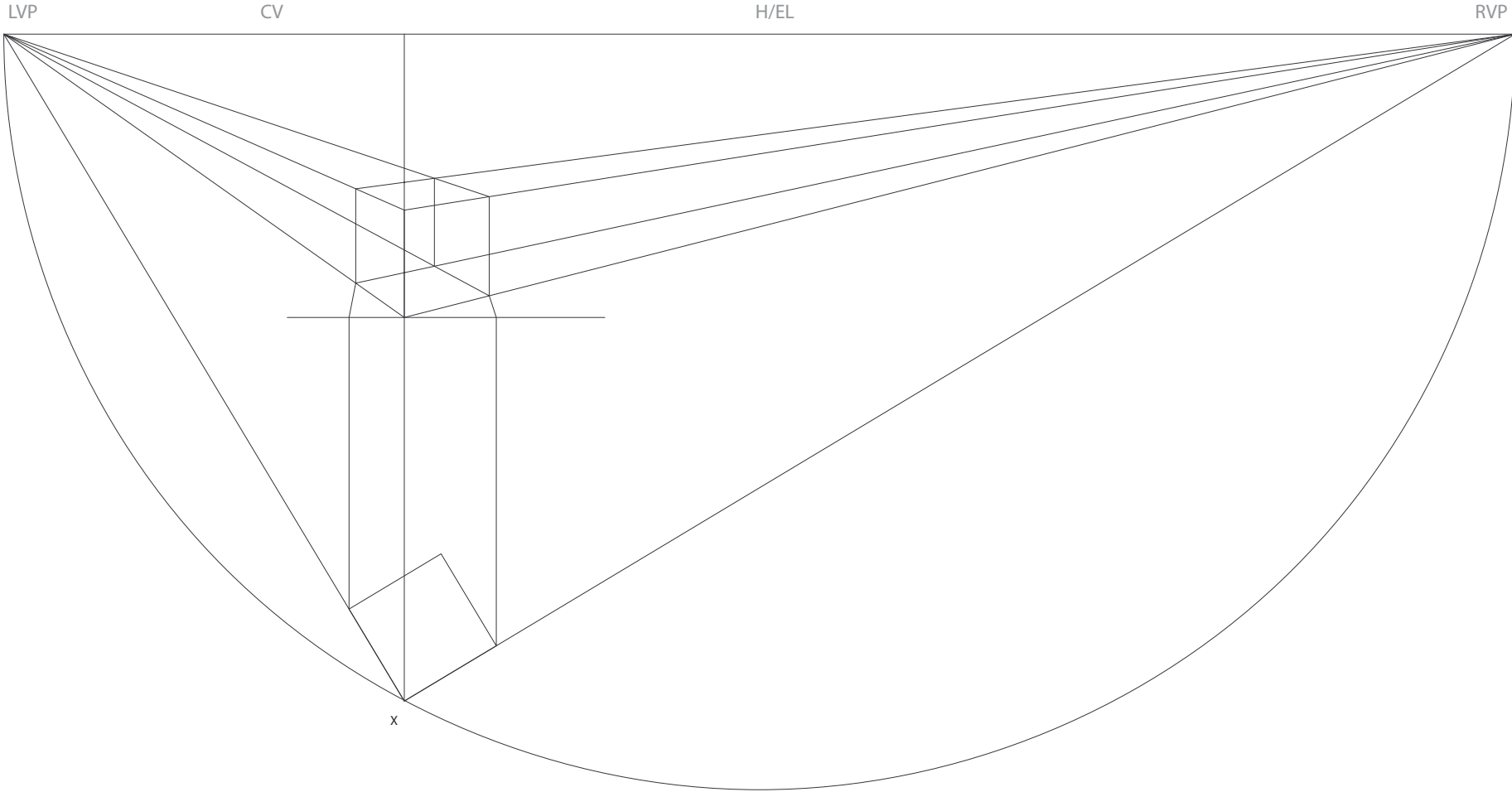


HOW TO DIVIDE A CUBE

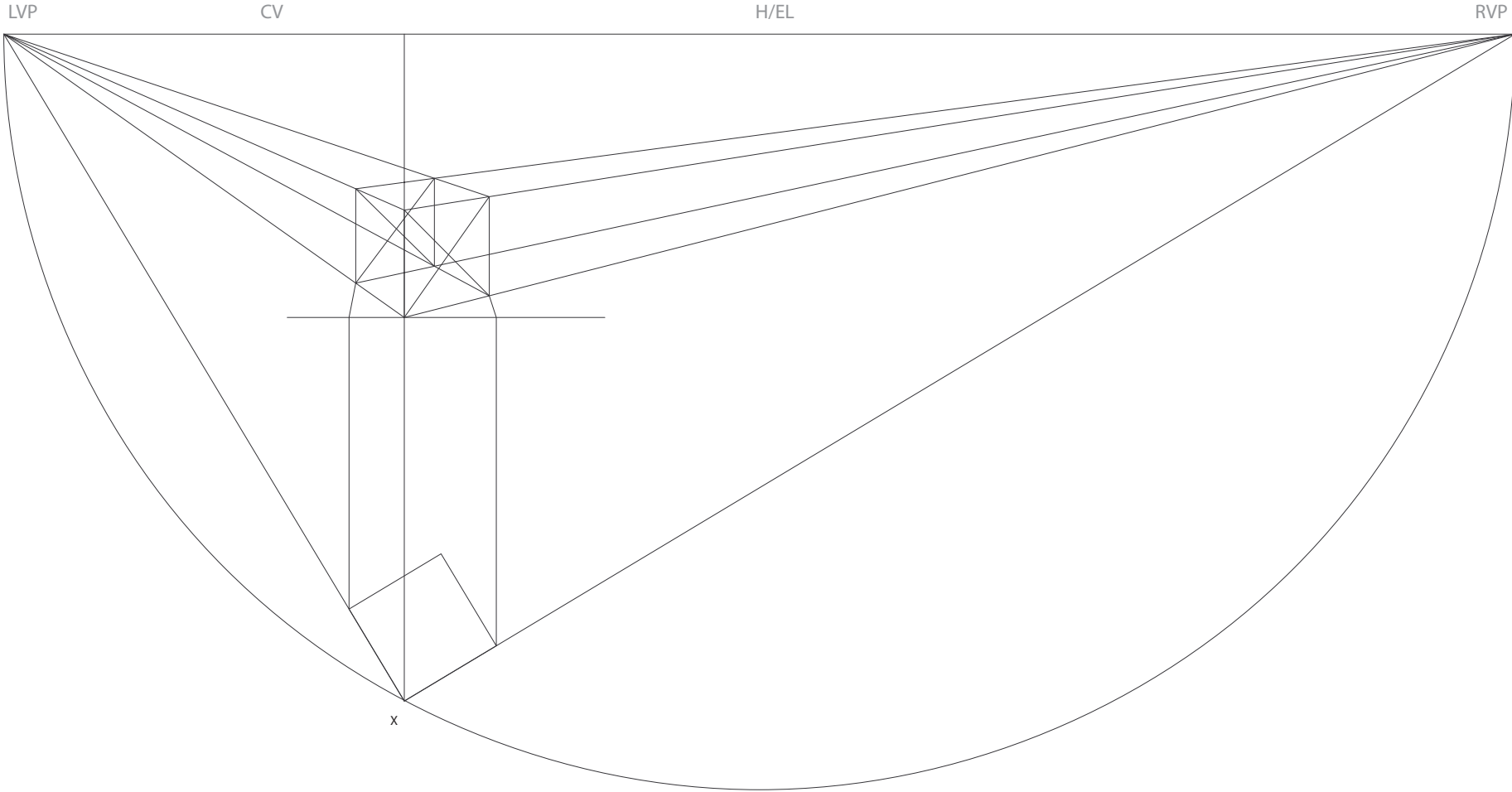
Rebecca B. Bennett



step 1
Draft a cube in two-point perspective.

HOW TO DIVIDE A CUBE

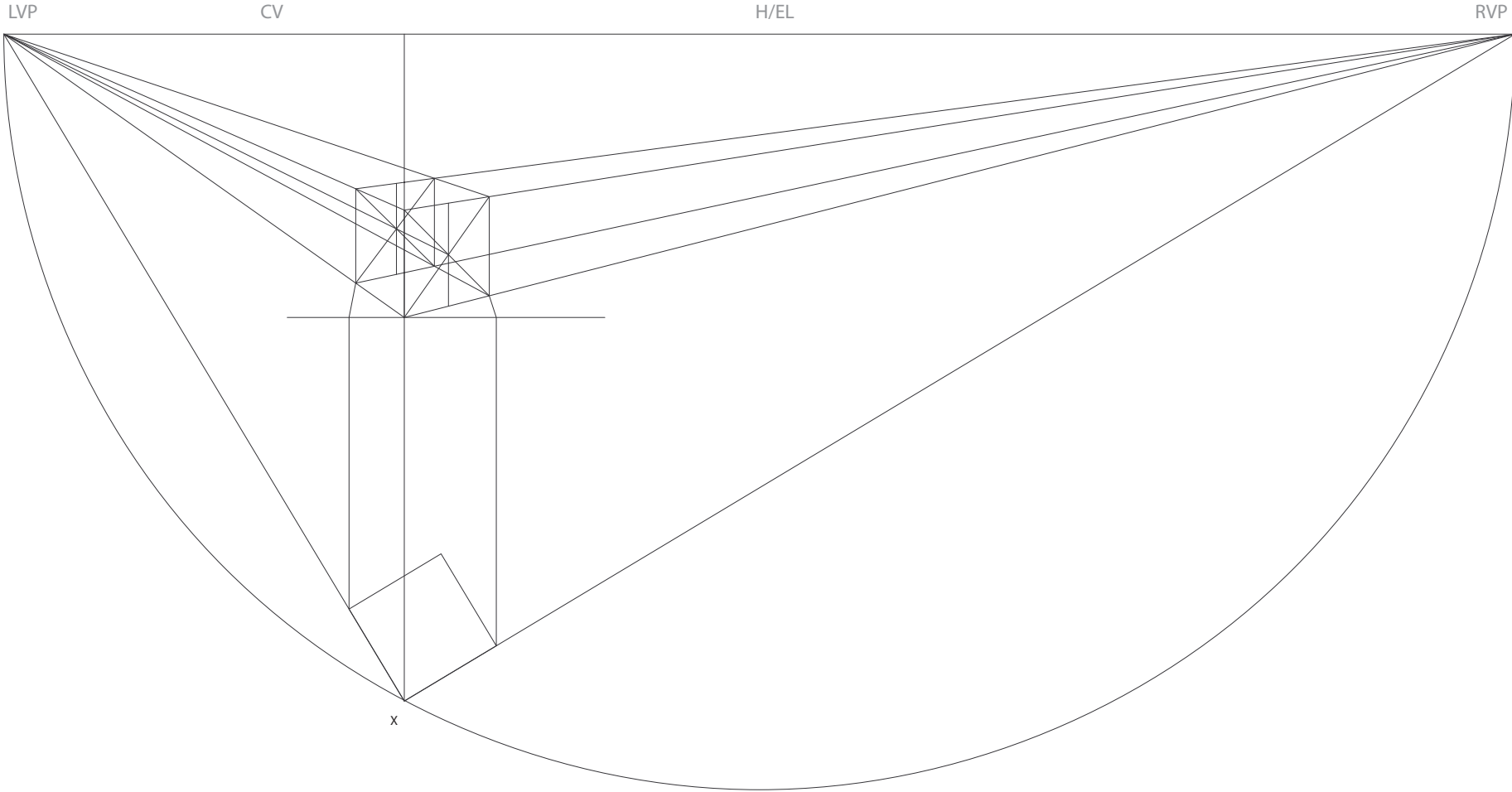
Rebecca B. Bennett



step 2
Find the center of opposite vertical sides.

HOW TO DIVIDE A CUBE

Rebecca B. Bennett



step 4
Make vertical lines through the centers of the sides. This cuts the cube in half vertically when the lines are connected along the top and bottom of the cube.

